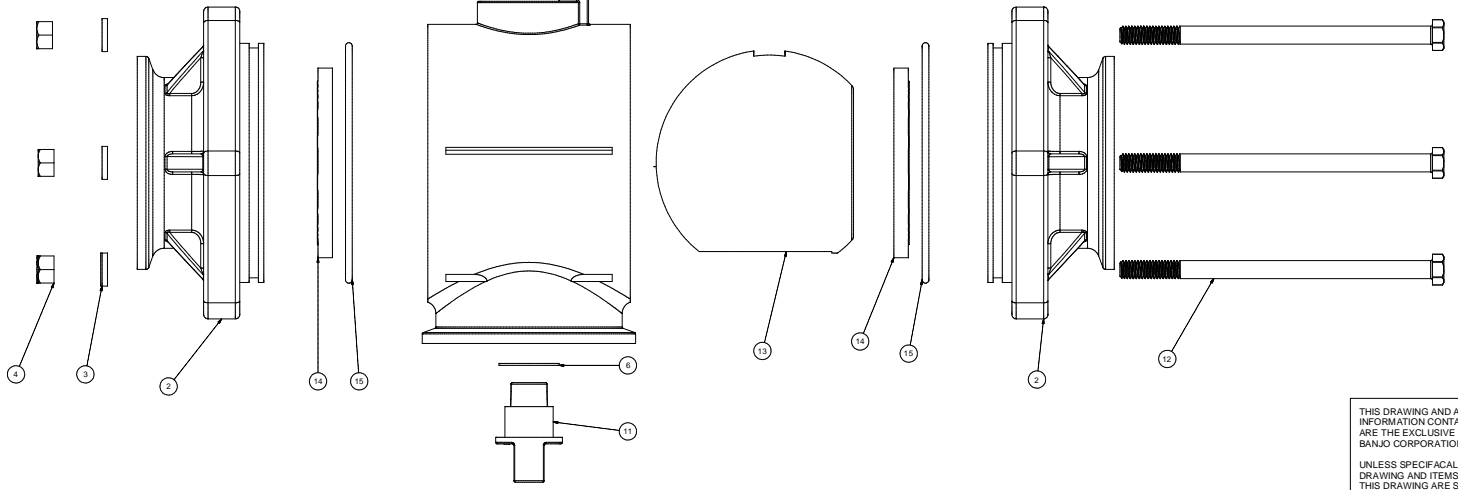
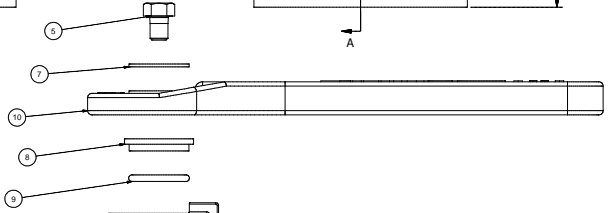


SECTION A-A
SCALE 1:1



Parts List			
ITEM	QTY	PART NUMBER	DESCRIPTION
1	1	MV35254BL	3" FP Body, BL
2	2	MV35278	3" FP Manifold Endplate
3	6	V20018	3/8" LOCKWASHER
4	6	V20019	3/8" HEX NUT
5	1	V25020	3/8" Handle Bolt
6	1	V25060	VALVE STEM THRUST BEARING
7	1	V25121	3/8" Fender Washer
8	1	V25160	Stem Bushing
9	1	V25163	#214 FKM O'RING
10	1	V25353B	2" FP BL Handle
11	1	V30151	STEM 3" FP, 4"
12	6	V35018	3/8" - 16 x 6.5" HHCS, 18-8SS
13	1	V35255BL	3" FP BL BALL
14	2	V35258A	3" FP Ball Seat
15	2	V35264BL	#248 FKM O'RING
16	1	VL200BL	Bottom Load Flow Label

THIS DRAWING AND ALL INFORMATION CONTAINED THEREON ARE THE EXCLUSIVE PROPERTY OF BANJO CORPORATION.
UNLESS SPECIFICALLY NOTED, THIS DRAWING AND ITEMS SHOWN ON THIS DRAWING ARE SUBJECT TO CHANGE AT ANY TIME.

BANJO CORPORATION
150 BANJO DRIVE, CRAWFORDSVILLE, IN 47933
WEB SITE: WWW.BANJOCORP.COM
E-MAIL: SALES1@BANJOCORP.COM

DESCRIPTION:
3" FP BL Manifold Valve

PART NUMBER:
MV300BL