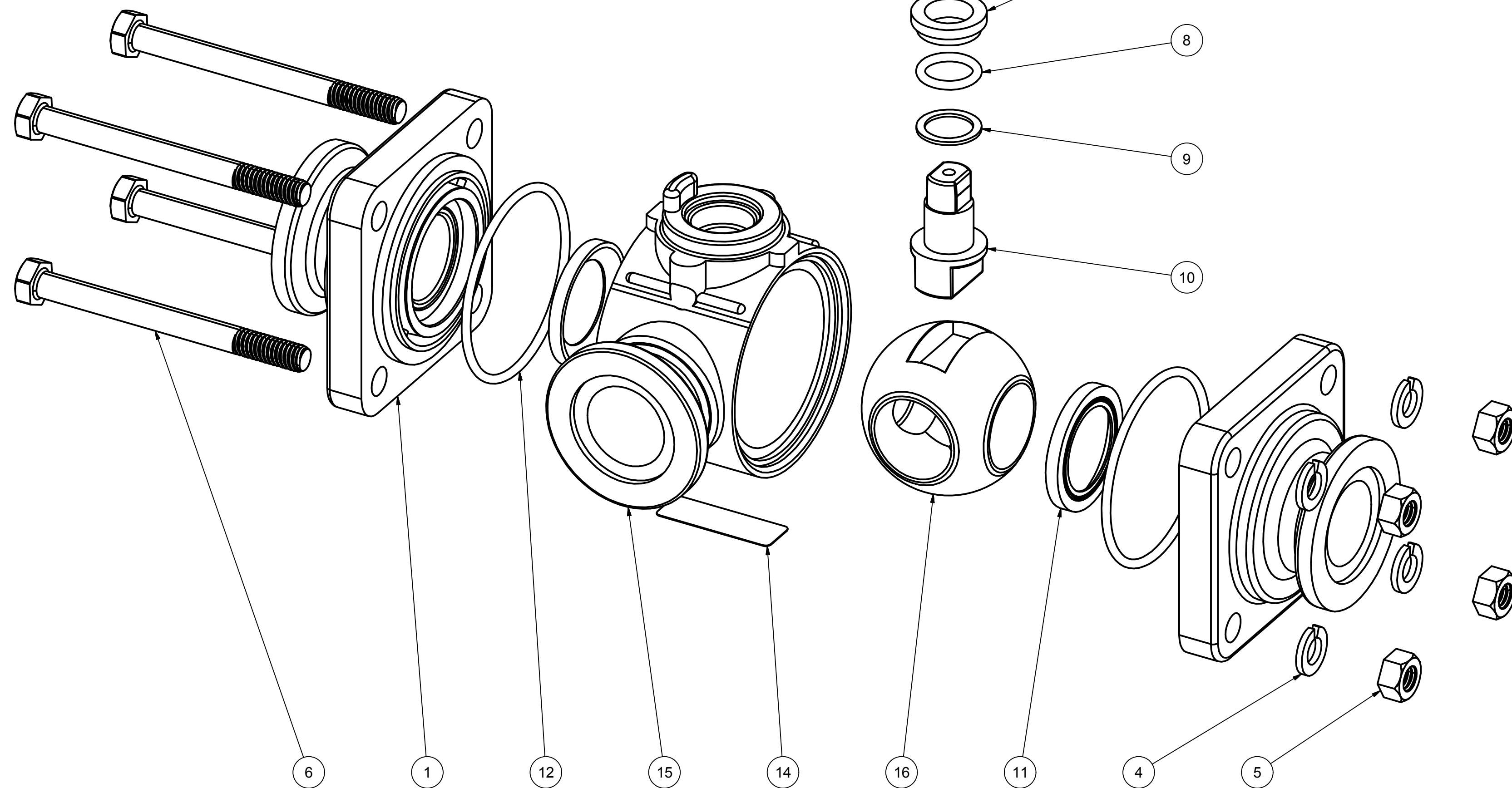
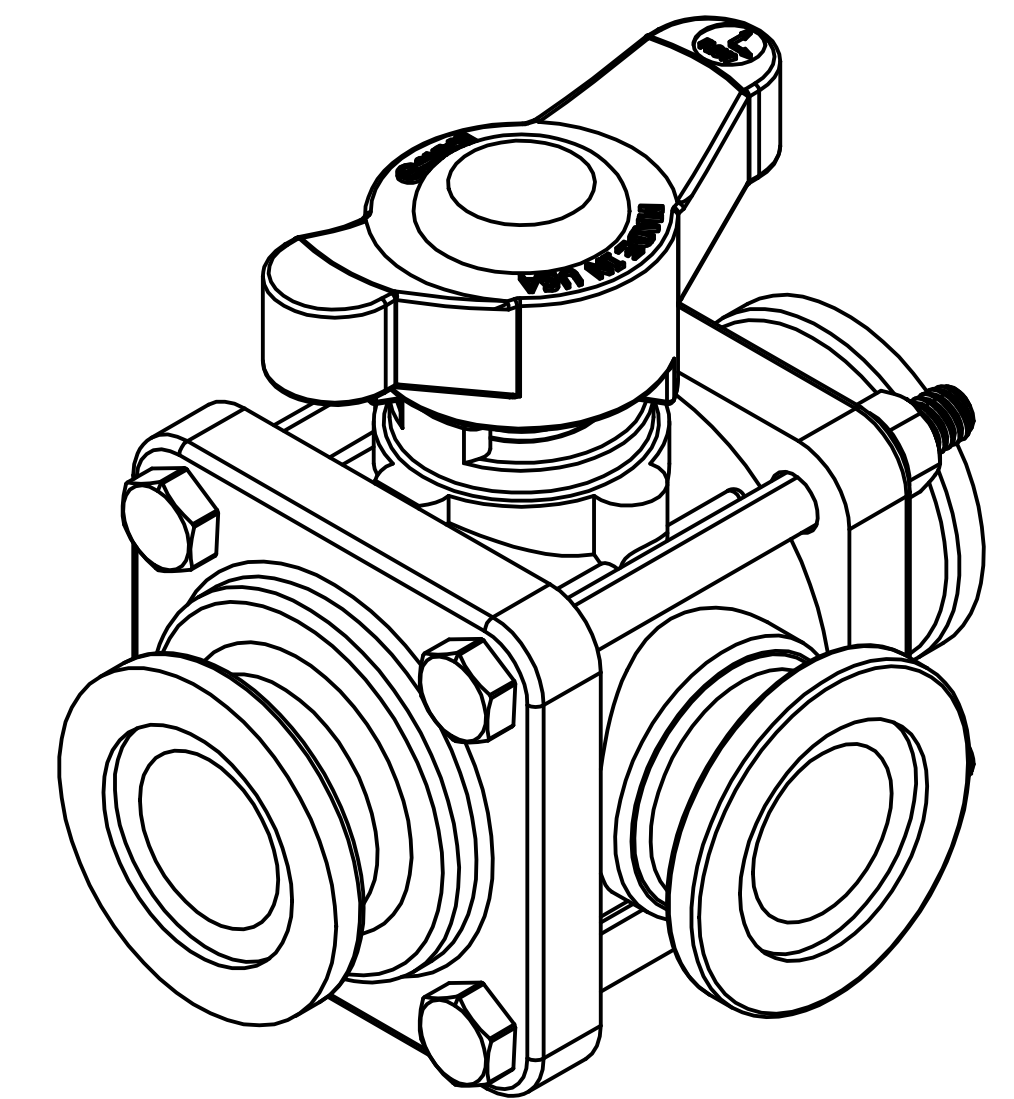


SECTION B-B
SCALE 1 : 1



Parts List			
ITEM	QTY	PART NUMBER	DESCRIPTION
1	2	VE10278A	1" VE Flange Endplate
2	1	V10353TS	1" SIDE LOAD T-HANDLE
3	1	V10020A	10-32 X 1 1/4" SMS
4	4	V10118	5/16" LOCKWASHER
5	4	V10119	5/16" HEX NUT
6	4	V10117	5/16 - 18 X 3 1/2" HHCS
7	1	V10159	STEM BUSHING
8	1	V10163	#113 O-RING, FKM
9	1	V10060	THRUST BEARING
10	1	V10151A	STEM
11	2	VE10258A	1" VE Seat TFM
12	2	VE10264	#139 O-RING, FKM
13	1	V20353C	1 1/8" CAPLUG
14	1	050DECAL	Banjo Logo Decal
15	1	MV10354S	1" Full Port Side Load Valve Body, Machined
16	1	V10355S	1" Side Load Ball



THIS DRAWING AND ALL INFORMATION CONTAINED THEREON ARE THE EXCLUSIVE PROPERTY OF BANJO CORPORATION.

UNLESS SPECIFICALLY NOTED, THIS DRAWING AND ITEMS SHOWN ON THIS DRAWING ARE SUBJECT TO CHANGE AT ANY TIME.

BANJO CORPORATION
 150 BANJO DRIVE, CRAWFORDSVILLE, IN 47933
 WEB SITE: WWW.BANJOCORP.COM
 E-MAIL: SALES1@BANJOCORP.COM

DESCRIPTION
1" Side Load Manifold 3 Way Valve

PART NUMBER
MV100SL