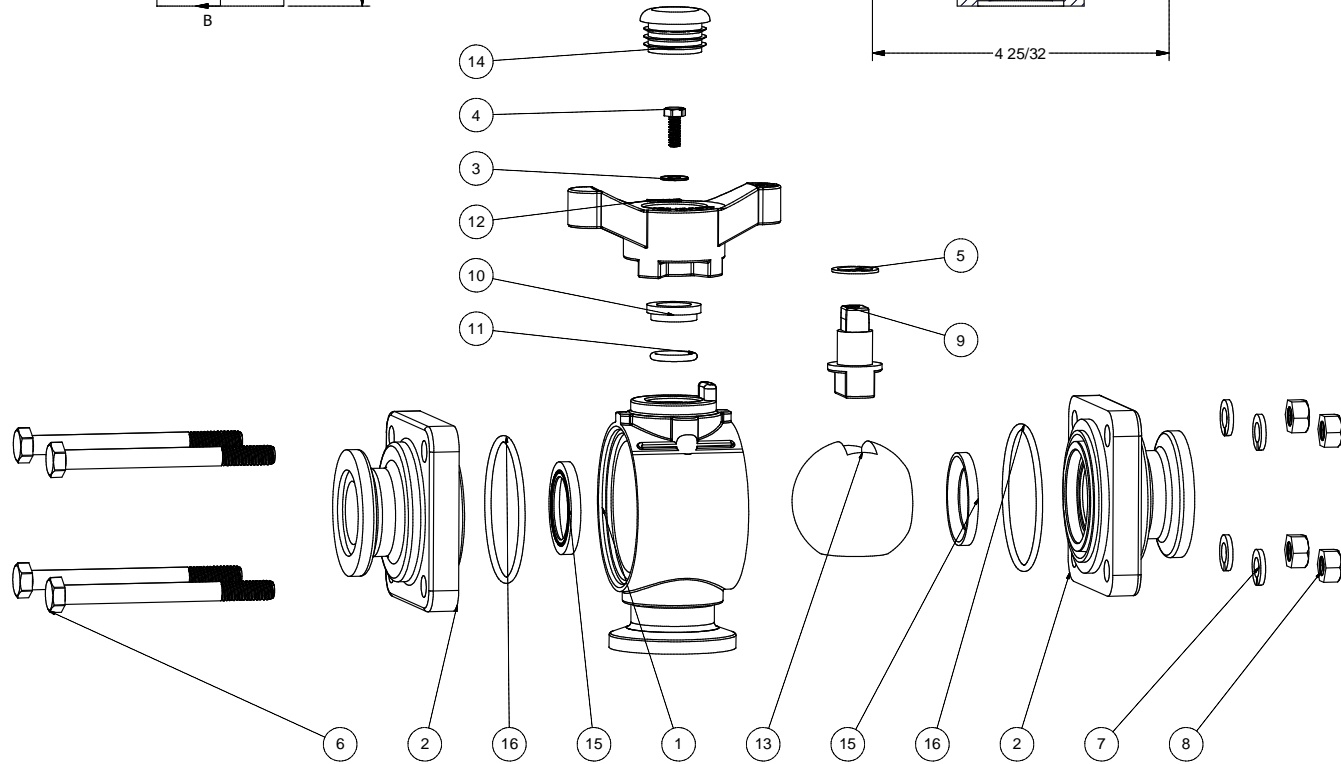


Parts List			
ITEM	QTY	PART NUMBER	DESCRIPTION
1	1	MV10354B	1" BL VALVE BODY
2	2	VE10278A	1" VE Flange Endplate
3	1	SW10	#10 WASHER
4	1	V07020	#10-24x0.50 HHCS 18-8SS
5	1	V10060	THRUST BEARING
6	4	V10117	5/16 - 18 X 3 1/2" HHCS
7	4	V10118	5/16" LOCKWASHER
8	4	V10119	5/16" HEX NUT
9	1	V10151	1" Valve Stem
10	1	V10159	STEM BUSHING
11	1	V10163	#113 O-RING, FKM
12	1	V10353TB	BOTTOM LOAD T-HANDLE
13	1	V10355B	BOTTOM LOAD BALL
14	1	V20353C	1 1/8" CAPLUG
15	2	VE10258A	1" VE Seat TFM
16	2	VE10264	#139 O-RING, FKM
17	1	050DECAL	DECAL (N/S)



THIS DRAWING AND ALL INFORMATION CONTAINED THEREON ARE THE EXCLUSIVE PROPERTY OF BANJO CORPORATION.

UNLESS SPECIFICALLY NOTED, THIS DRAWING AND ITEMS SHOWN ON THIS DRAWING ARE SUBJECT TO CHANGE AT ANY TIME.



BANJO CORPORATION
 150 BANJO DRIVE, CRAWFORDSVILLE, IN 47933
 WEB SITE: WWW.BANJOCORP.COM
 E-MAIL: BANJO.SALES@IDEXCORP.COM

DESCRIPTION
1" MANIFOLD BOTTOM LOAD VALVE

PART NUMBER
MV100BL