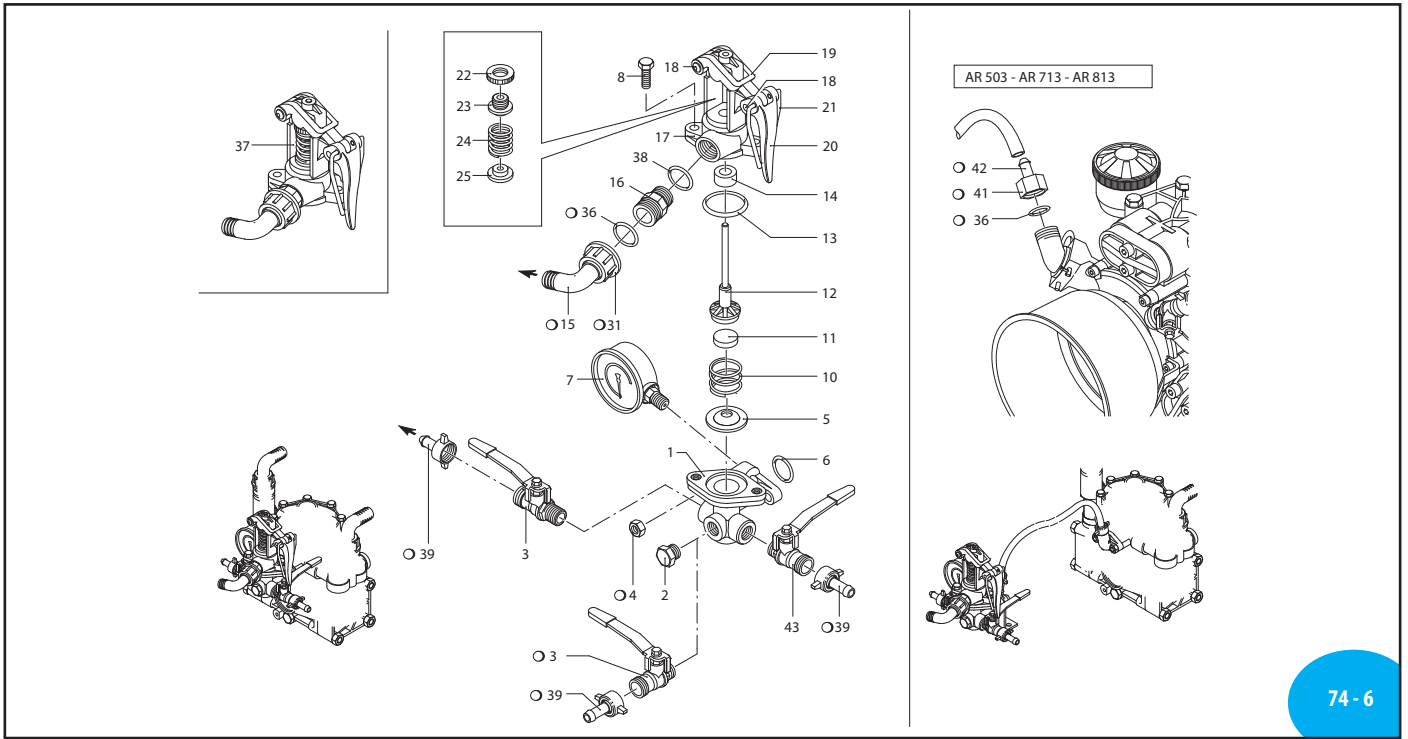


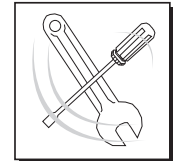
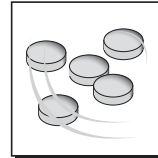
A.R. NORTH AMERICA

GI 40



Pos	Code	Description	Qty	Note
1	620220	Control unit	1	
2	130171	Plug 3/8" G	1	T180*
3	130491	Ball valve 3/8" G - 1/2" G M-MDX	2	
4	390270	Nut M8	2	T180*
5	450110	Seat	1	
6	550350	O-ring Ø 23.81X2.62	2	
7	550545	Pressure gauge	1	0-1150 PSI
8	180370	Screw TE M8x25	2	T180*
10	320420	Spring	1	
11	110121	Plug	1	Desmopan
11	110120	Plug	1	Buna
11	110122	Plug	1	Viton
12	320433	Stem	1	
13	320511	O-ring Ø 37.8x4	1	
14	390140	Gasket	1	
14	390141	Gasket	1	Viton
15	550460	Elbow Ø 18	1	o
16	550440	Fitting 1/2" G - 3/4 G M-M	1	
17	320410	Body valve	1	
18	320480	Hub pin	2	
19	320460	Fork	1	
20	320470	Lever	1	
21	320490	Support	1	
22	320450	Wobble plate	1	
23	320440	Ring nut	1	
24	110190	Spring	1	
25	230120	Wobble plate	1	
28	320406	Bracket	1	o
30	450145	Flange	1	o
31	550450	Ring nut 3/4" G	1	o
32	110130	Ring nut 1/2"	1	o
33	160660	Screw TE M8x35	2	o T90*
36	880830	O-ring Ø 15.54x2.62	2	o
37	1923	Valve kit adjustment	1	
38	180101	O-ring Ø 17.5x2	1	
39	110131	Ring nut 1/2"	3	o
41	1040790	Ring nut 3/4" G	1	o
42	1150580	Hose tail Ø 13	1	o
43	130492	Ball valve 3/8" G - 1/2" G M-M SX	1	
o Not part of GI 40				

* Torque: in-lbs +/- 10%

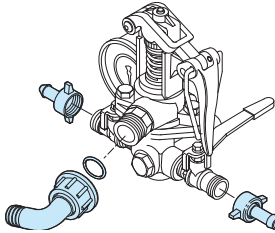


AR 1921 Buna valve seats		AR 1922 Desmopan valve seats		AR 1925 Maintenance repair			
Pos.	Qty	Pos.	Qty	Pos.	Qty	Pos.	Qty
11	5	11	5	5	1		
				10	1		
				11	1		
				12	1		
				13	1		
				14	1		

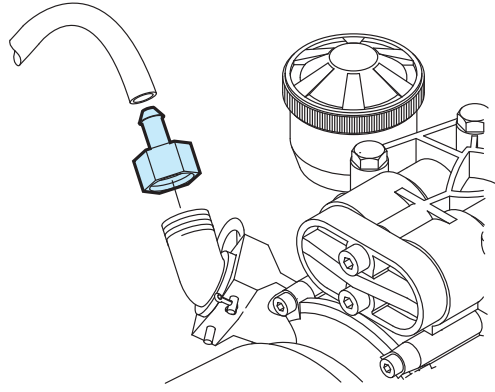
GI 40

For GI 40

KIT 977 "I"



KIT 982 "S"



KIT 980 "S"

Build-in control unit and remote control

AR 977 "I" Build in control

Pos.	Qty	Pos.	Qty
15	1		
31	1		
36	1		
39	2		

For AR 30 - AR 50 - AR 303 - AR 403

AR 980 "S" Remote control

Pos.	Qty	Pos.	Qty
3	1		
4	2		
6	1		
15	1		
28	1		
30	1		
31	1		
32	1		
33	2		
36	1		
39	3		

For AR 30 - AR 50 - AR 303 - AR 403

AR 982 "S" Remote control

Pos.	Qty	Pos.	Qty
3	1	41	1
4	2	42	1
6	1		
15	1		
28	1		
30	1		
31	1		
32	1		
33	2		
36	2		
39	3		

For AR 503

Control units