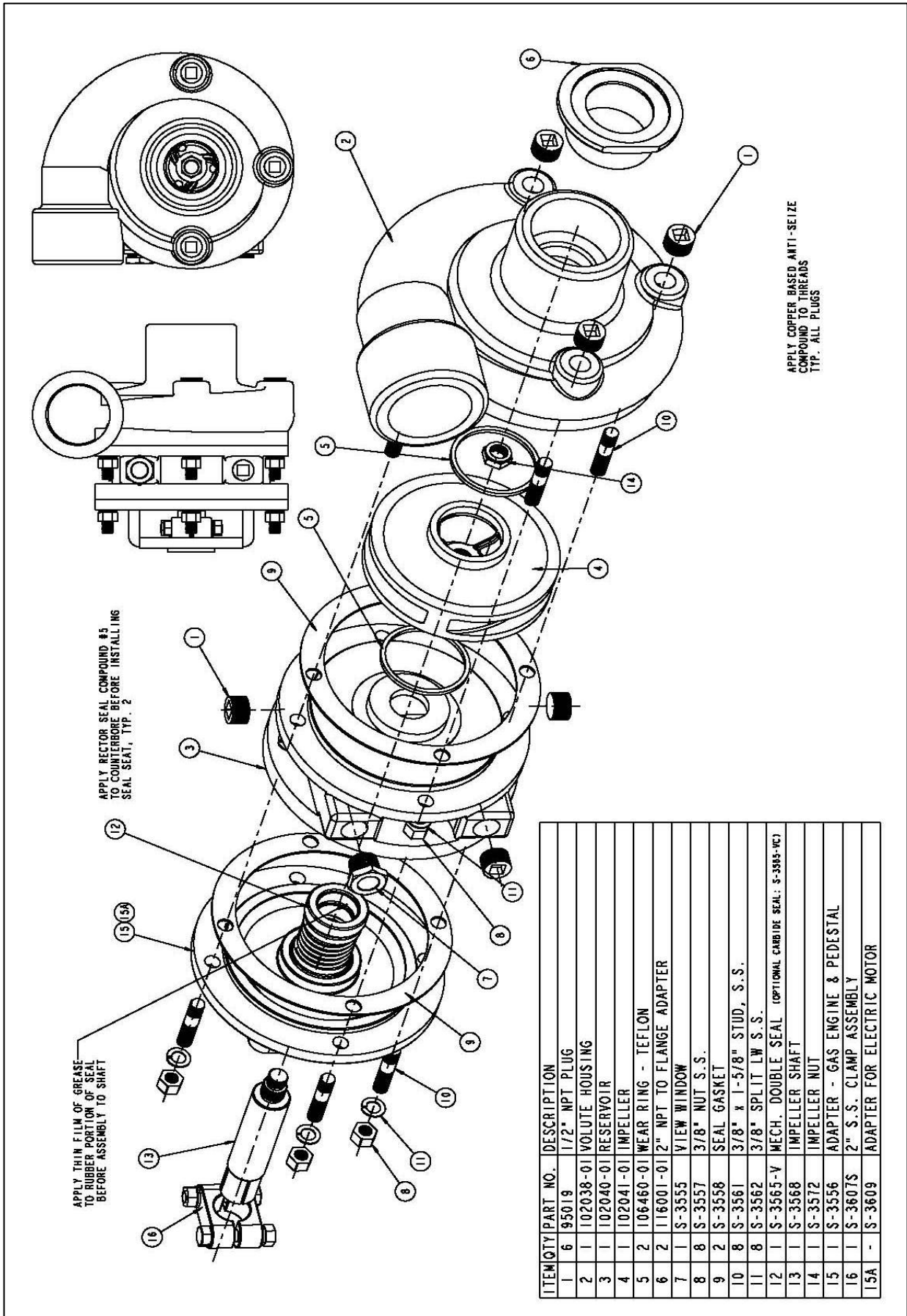


PARTS LISTING: S-3220 (2" STRAIGHT)



ITEM QTY	PART NO.	DESCRIPTION
1	6	95019 1/2" NPT PLUG
2	1	102038-01 VOLUTE HOUSING
3	1	102040-01 RESERVOIR
4	1	102041-01 IMPELLER
5	2	106460-01 WEAR RING - TEFLON
6	2	116001-01 2" NPT TO FLANGE ADAPTER
7	1	S-3555 VIEW WINDOW
8	8	S-3557 3/8" NUT S.S.
9	2	S-3558 SEAL GASKET
10	8	S-3561 3/8" x 1-5/8" STUD, S.S.
11	8	S-3562 3/8" SPLIT LW S.S.
12	1	S-3565-V MECH. DOUBLE SEAL (OPTIONAL CARBIDE SEAL: S-3565-VC)
13	1	S-3568 IMPELLER SHAFT
14	1	S-3572 IMPELLER NUT
15	1	S-3556 ADAPTER - GAS ENGINE & PEDESTAL
16	1	S-3607S 2" S.S. CLAMP ASSEMBLY
15A	-	S-3609 ADAPTER FOR ELECTRIC MOTOR

PARTS LISTING: S-3320 (3" STRAIGHT)

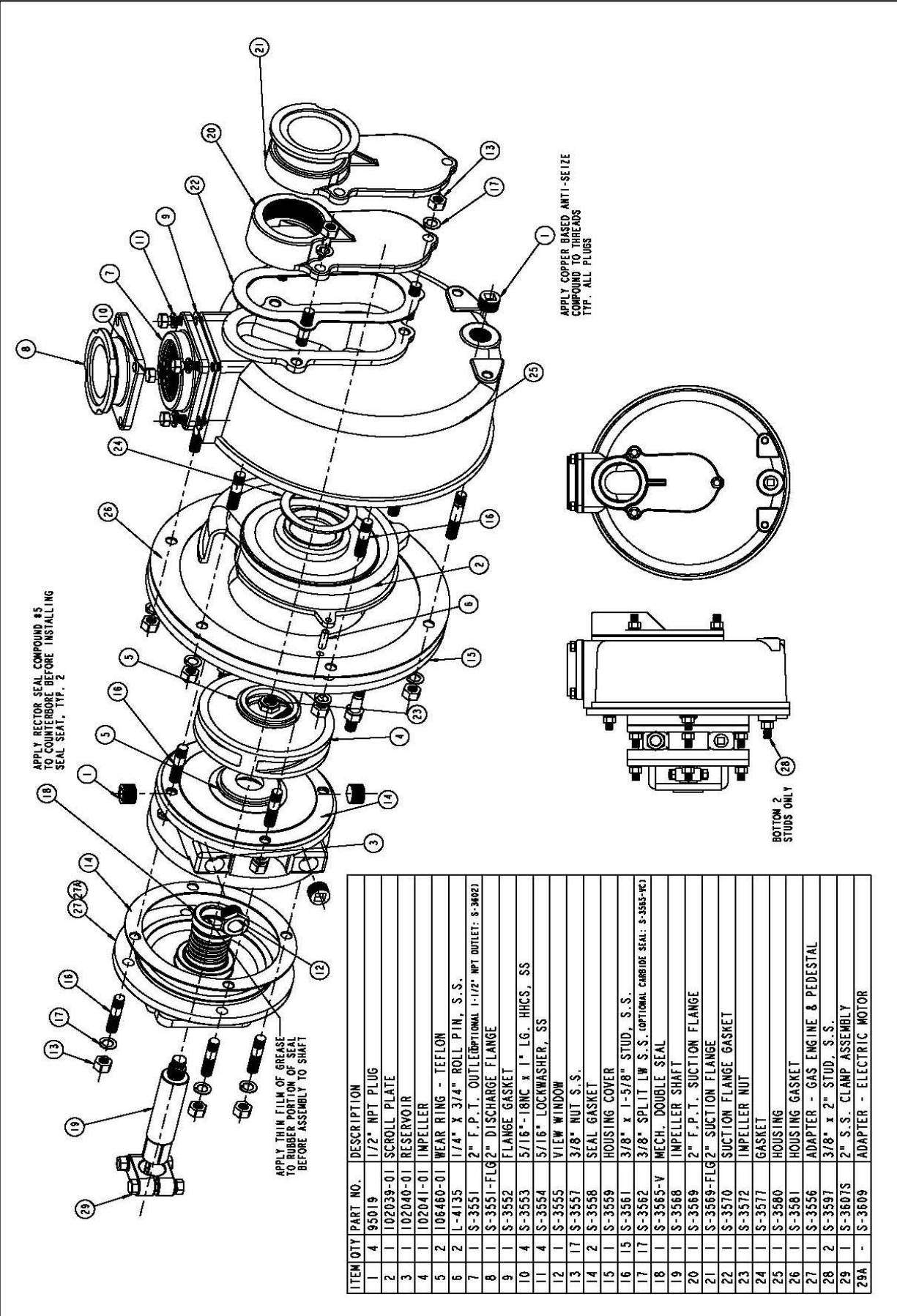
APPLY THIN FILM OF GREASE TO RUBBER PORTION OF SEAL BEFORE ASSEMBLY TO SHAFT

APPLY RECTOR SEAL COMPOUND BS TO COUNTERBORE BEFORE INSTALLING SEAL SEAT, TYP. 2

APPLY COPPER BASED ANTI-SEIZE COMPOUND TO THREADS TYP. ALL PLUGS

ITEM/QUANTITY	PART NO.	DESCRIPTION
1	43005	MECH. DOUBLE SEAL (OPTIONAL CARBIDE SEAL: 43017)
2	93025	3/8" LOCKWASHER, S.S.
3	6	1/2" NPT PLUG
4	102034-01	VOLUTE HOUSING
5	102035-01	RESERVOIR
6	102037-01	IMPELLER
7	110152-01	ANNULAR SEAL
8	S-3555	VIEW WINDOW
9	S-3557	3/8" NUT S.S.
10	S-3561	3/8" x 1-5/8" STUD, S.S.
11	S-3638	GASKET SEAL
12	S-3649	3/4"-16 LEFT HAND LOCKNUT
13	S-3656	FLANGE GASKET
14	S-3657	3" F. P. T. DISCHARGE FLANGE
15	S-3657-FL	FLANGED ADAPTER
16	S-3664	3/8" x 3-1/2" STUD, S.S.
17	S-3646	IMPELLER SHAFT
18	102189-01	ADAPTER FOR GAS ENGINE
19	S-3608S	3" S.S. CLAMP ASSEMBLY
17A	-	IMPELLER SHAFT FOR "BS" GAS ENGINE MODEL
18A	-	102190-01 ADAPTER FOR ELECTRIC MOTOR
18B	-	114523-01 ADAPTER FOR "BS" GAS ENGINE MODEL
19A	-	S-3608AS 3" S.S. KEYS CLAMP FOR "BS" IMPELLER SHAFT

PARTS LISTING: SP-3220 (2" SELF-PRIMING)



ITEM QTY	PART NO.	DESCRIPTION
1	4 95019	1/2" NPT PLUG
2	1 02039-01	SCROLL PLATE
3	1 02040-01	RESERVOIR
4	1 02041-01	IMPELLER
5	2 108460-01	WEAR RING - TEFLON
6	2 L-4135	1/4" X 3/4" ROLL PIN, S.S.
7	1 S-3551	2" F.P.T. OUTLET OPTIONAL 1-1/2" NPT OUTLET: S-34021
8	1 S-3551-FLG	2" DISCHARGE FLANGE
9	1 S-3552	FLANGE GASKET
10	4 S-3553	5/16" - 18NC x 1" LG. HHCS, SS
11	4 S-3554	5/16" LOCKWASHER, SS
12	1 S-3555	VIEW WINDOW
13	17 S-3557	3/8" NUT S.S.
14	2 S-3558	SEAL GASKET
15	1 S-3559	HOUSING COVER
16	15 S-3561	3/8" x 1-5/8" STUD, S.S.
17	17 S-3562	3/8" SPLIT LW S.S. (OPTIONAL CARBIDE SEAL: S-3565-VC)
18	1 S-3565-V	MECH. DOUBLE SEAL
19	1 S-3568	IMPELLER SHAFT
20	1 S-3569	2" F.P.T. SUCTION FLANGE
21	1 S-3569-FLG	2" SUCTION FLANGE
22	1 S-3570	SUCTION FLANGE GASKET
23	1 S-3572	IMPELLER NUT
24	1 S-3577	GASKET
25	1 S-3580	HOUSING
26	1 S-3581	HOUSING GASKET
27	1 S-3556	ADAPTER - GAS ENGINE & PEDESTAL
28	2 S-3597	3/8" x 2" STUD, S.S.
29	1 S-3607S	2" S.S. CLAMP ASSEMBLY
29A	- S-3609	ADAPTER - ELECTRIC MOTOR

PARTS LISTING: SP-3320 (3" SELF-PRIMING)

APPLY RECTOR SEAL COMPOUND #5 TO COUPLER BEFORE INSTALLING SEAL SEAL, TYP. 2

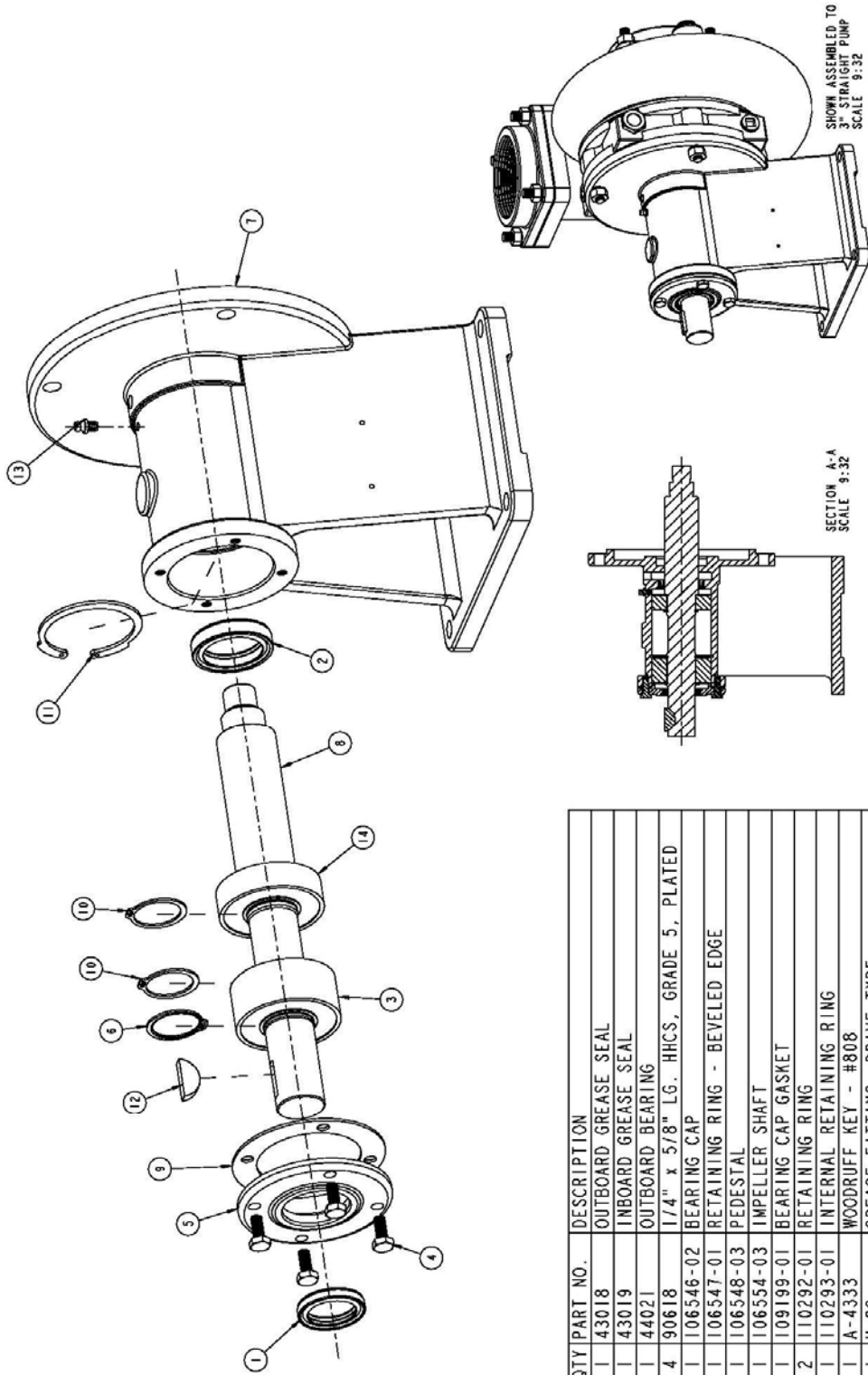
APPLY THIN FILM OF GREASE TO RUBBER PORTION OF SEAL BEFORE ASSEMBLY TO SHAFT

APPLY COPPER BASED ANTI-SEIZE COMPOUND TO THREADS TYP. ALL PLUGS

BOTTOM 2 STUDS ONLY

ITEM QTY	PART NO.	DESCRIPTION
1	43005	MECH. DOUBLE SEAL (OPTIONAL CARBIDE SEAL: 43017)
2	23 93025	3/8" LOCKWASHER, S. S.
3	4 95019	1/2" NPT PLUG
4	102035-01	RESERVOIR
5	102036-01	SCROLL PLATE
6	102037-01	IMPELLER
7	110152-01	ANNULAR SEAL
8	2 L-4135	1/4" X 3/4" ROLL PIN, S. S.
9	S-3555	VIEW WINDOW
10	23 S-3557	3/8" NUT S. S.
11	7 S-3561	3/8" x 1-5/8" STUD, S. S.
12	2 S-3597	3/8" x 2" STUD, S. S.
13	S-3638	GASKET SEAL
14	S-3640	HOUSING COVER
15	S-3641	HOUSING COVER GASKET
16	S-3648	GASKET, SCROLL PLATE
17	S-3649	3/4"-16 LEFT HAND LOCKNUT
18	S-3652	3" F. P. T. SUCTION FLANGE
19	S-3652-FLG	SUCTION FLANGE
20	S-3654	SUCTION FLANGE GASKET
21	S-3655	HOUSING
22	S-3656	FLANGE GASKET
23	S-3657	3" F. P. T. DISCHARGE FLANGE
24	S-3657-FLG	FLANGED ADAPTER
25	S-3664	3/8" x 3-1/2" STUD, S. S.
26	S-3646	IMPELLER SHAFT
27	102189-01	ADAPTER FOR GAS ENGINE
28	10 S-3666	3/8" x 1-7/8" STUD, S. S.
29	S-36085	3" S. S. CLAMP ASSEMBLY
26A	114524-01	IMPELLER SHAFT FOR "BS" GAS ENGINE MODEL
27A	102190-01	ADAPTER FOR ELECTRIC MOTOR
27B	114523-01	ADAPTER FOR "BS" GAS ENGINE MODEL
29A	S-3608AS	3" KEVED STAINLESS CLAMP FOR "BS" IMPELLER SHAFT

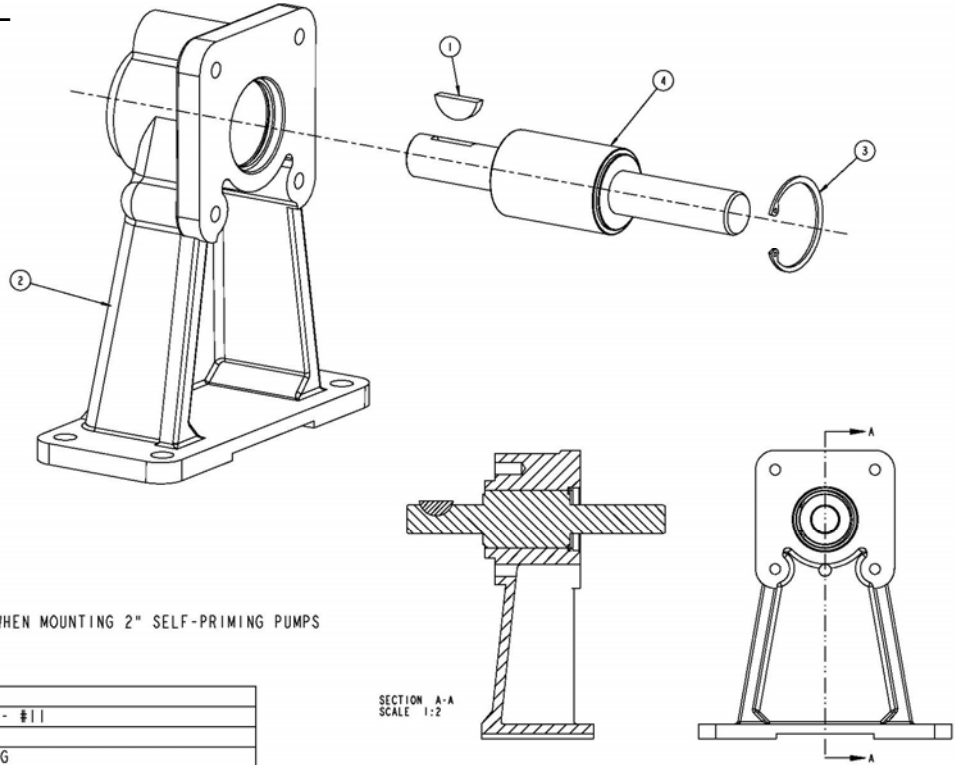
PARTS LISTING: S-3325-P TRUCK PUMP PEDESTAL (USED WITH 3" STRAIGHT OR SELF-PRIMING PUMPS)



ITEM QTY	PART NO.	DESCRIPTION
1	43018	OUTBOARD GREASE SEAL
2	43019	INBOARD GREASE SEAL
3	44021	OUTBOARD BEARING
4	90618	1/4" x 5/8" LG. HHCS, GRADE 5, PLATED
5	106546-02	BEARING CAP
6	106547-01	RETAINING RING - BEVELED EDGE
7	106548-03	PEDESTAL
8	106554-03	IMPELLER SHAFT
9	109199-01	BEARING CAP GASKET
10	110292-01	RETAINING RING
11	110293-01	INTERNAL RETAINING RING
12	A-4333	WOODRUFF KEY - #808
13	H-28	GREASE FITTING, DRIVE TYPE
14	S-3634	INBOARD BEARING

PARTS LISTING: CLOSE-COUPLED PEDESTALS

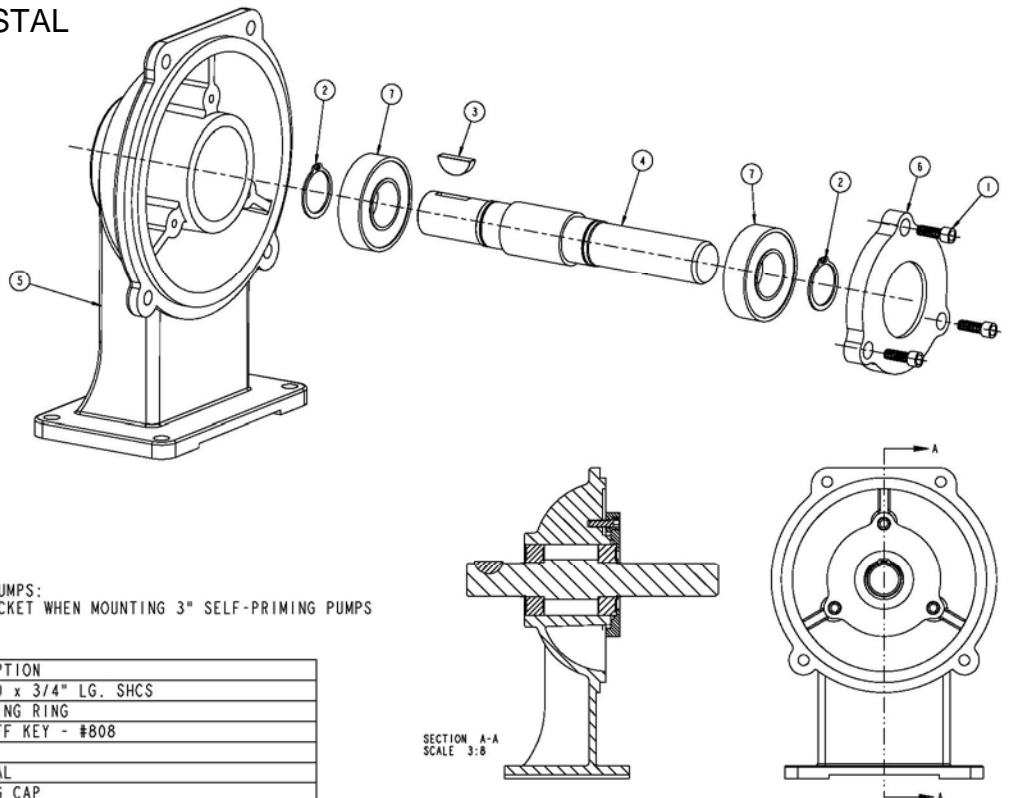
2" PUMP PEDESTAL S-3342



NOTE FOR SELF-PRIMING PUMPS:
USE S-3573 ANGLE BRACKET WHEN MOUNTING 2" SELF-PRIMING PUMPS

ITEM	QTY	PART NO.	DESCRIPTION
1	1	S-3583	WOODRUFF KEY - #11
2	1	S-3584	PEDESTAL
3	1	S-3585	RETAINING RING
4	1	S-3586	BEARING AND SHAFT ASSEMBLY

3" PUMP PEDESTAL S-3334



NOTE FOR SELF-PRIMING PUMPS:
USE S-3667 ANGLE BRACKET WHEN MOUNTING 3" SELF-PRIMING PUMPS

ITEM	QTY	PART NO.	DESCRIPTION
1	3	90514	1/4"-20 x 3/4" LG. SHCS
2	2	110292-01	RETAINING RING
3	1	A-4333	WOODRUFF KEY - #808
4	1	S-3630	SHAFT
5	1	S-3632	PEDESTAL
6	1	S-3633	BEARING CAP
7	2	S-3634	INBOARD BEARING