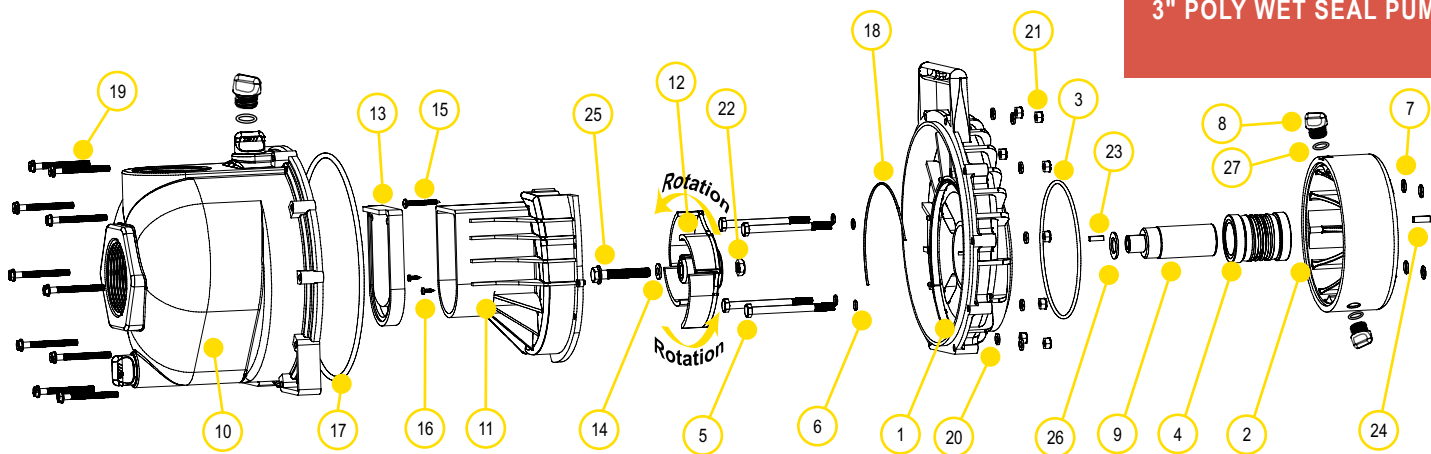


CENTRIFUGAL PUMPS

3" POLY WET SEAL PUMPS



REPLACEMENT PARTS 3" POLY PUMPS

ITEM	PART NO	DESCRIPTION	QTY
1	12703AW	WET SEAL REAR BRACKET	1
2	12201W	WET SEAL RESERVOIR	1
3	13719	O-RING	1
3	13719V	FKM O-RING (301POWV)	1
4	15035E	EPDM MECHANICAL SEAL ASSEMBLY	1
4	15035	MECHANICAL SEAL ASSEMBLY (301POWV)	1
5	13034	5/16" -24 X 3 3/4" HHCS	4
6	12717	O-RING FOR BRACKET SCREW	4
6	12717V	FKM O-RING FOR BRACKET SCREW (301POWV)	4
7	12709	O-RING	4
7	12709V	FKM O-RING (301POWV)	4
8	12777	1/2" PLUG	4
9	13055	ADAPTER SHAFT	1
9	13155M	ADAPTER SHAFT (301POWV)	1
10	13712	BODY ASSEMBLY	1
10	13712	FKM BODY ASSEMBLY (301POWV)	1
11	13702	VOLUTE	1
12	13772	4 VANE IMPELLER	1
13	12705	CHECK VALVE	1
13	12705V	FKM CHECK VALVE (301POWV)	1
14	A204	IMPELLER BOLT GASKET	1
14	A204V	FKM IMPELLER BOLT GASKET (301POWV)	1
15	12900	#10 X 1 1/2" PPH SMS	1
16	12725	#6 X 1 1/2" PPH SMS	2
17	13719	BODY O-RING	1
17	13719V	FKM BODY O-RING (301POWV)	1
18	12754	O-RING SEGMENT	1
18	12754V	FKM O-RING SEGMENT (301POWV)	1
19	12720	1/4" - 20 X 2 1/2" SL IND HWHS	10
20	V07018	1/4" LOCK WASHER	10
21	V07019	1/4" - 20 HEX NUT	10
22	12775A	7/16" - 14 HEX NUT	1
23	12902A	3/16" SQ. X 5/8" KEY	2
24	16901	1/4" SQUARE KEY	1
25	13766	3/8-24 X 2 1/4" HFS	1
25	BM1070	M10-1.5 X 70 MM HHCS (301POWV)	1

REPLACEMENT PARTS 3" POLY PUMPS

ITEM	PART NO	DESCRIPTION	QTY
26	CV10175	GASKET	1
26	CV10175V	FKM GASKET (301POWV)	1
27	UV15163	O-RING FOR DRAIN PLUG	4
27	UV15163V	FKM O-RING FOR DRAIN PLUG (301POWV)	2

