



High Performance Gas Engine Driven Centrifugal Pump



GE-650

- Suction 1-1/2" Discharge 1-1/4"
- Maximum Pressure 113 PSI and Maximum Flow 110 GPM
- Impeller attaches directly to 5/8" NF Threaded Shaft on Honda or Briggs & Stratton 5.5 HP engine

- Stainless Steel Shaft Sleeve

- Available Complete or Less Engine:

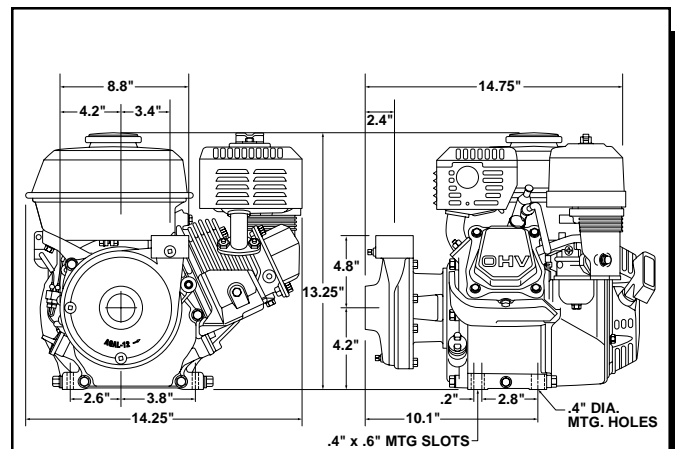
GE-650	5.5 HP Briggs
GE-650-HONDA	5.5 HP Honda
GE-650-LE	Pump less engine

PERFORMANCE CHART

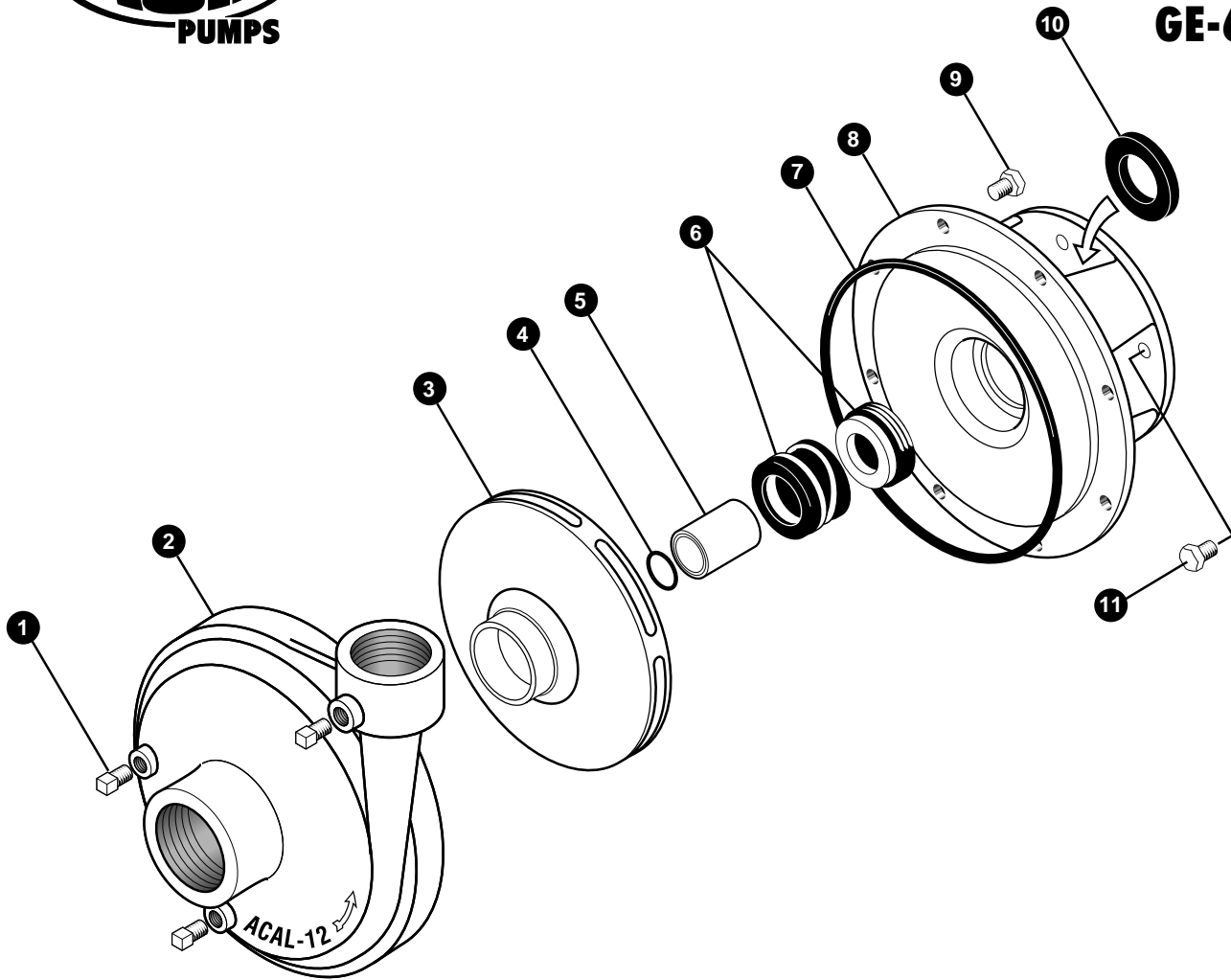
ENGINE SHAFT SPEED*	20	40	60	80	100	113
	PSI	PSI	PSI	PSI	PSI	PSI
	GPM	GPM	GPM	GPM	GPM	GPM
4200 RPM	110	93	75	54	37	20
4000 RPM	110	92	74	53	20	-
3800RPM	110	90	68	42	-	-
3600 RPM	110	90	64	17	-	-
3400 RPM	110	85	49	-	-	-

* Engine shaft speed at shut-off.
Performance data of pump equipped with 5.5 HP Honda.

DIMENSIONS



Note: Dimensions may vary depending on make and size of engine. Use only for Reference



REF. #	PART NUMBER	EDP #	DESCRIPTION	REQ.
1	BAC-53	41110	Pipe plug, 1/8" NPT	3
1	41120	41120	Pipe plug, 1/8" NPT, stainless steel (optional)	3
2	ACAL-12	30161	Volute, 1 1/2" x 1 1/4", clockwise rotation	1
3	ACAL-28	30173	Impeller, cast iron, right hand thread	1
*4	GE-8-V-A	42132	"O" Ring for GE-6-A-SS shaft sleeve	1
5	GE-6-SS-A	42105	Sleeve for 1" O.D. shaft, stainless steel	1
*6	GE-7-V	42120	Seal, 1" Type 6 mechanical seal, Viton	1
*7	BAC-4-150	40015	"O" Ring, volute seal	1
8	ACAL-55	30185	Bracket	1
9	40950	40950	Cap screw, 3/8" NC x 3/4" hex head	8
9	40930	40930	Cap screw, 3/8"NC x 3/4", stainless steel (optional)	8
10	GE-54	42220	Slinger	1
11	GE-60	42230	Cap screw, 5/16" NF x 3/4"	4
11	GE-60-SS	42235	Cap screw, 5/16" NF x 3/4", stainless steel (optional)	4
#	42068	42068	Engine, 5.5 HP Honda (GX160K1TX2)	1
#	42069	42069	Engine, 5.5 HP Briggs & Stratton (110432-0035-E1)	1
#	RK-GE-650	61153	Repair kit	1

* Items included in pump repair kit.

Ace Pump Corporation • P.O. Box 13187 - 1650 Channel Avenue • Memphis, TN 38113
www.AcePumps.com • Phone: 901-948-8514 • Fax: 901-774-6147