



Heavy Duty Frame Mounted Centrifugal Pump



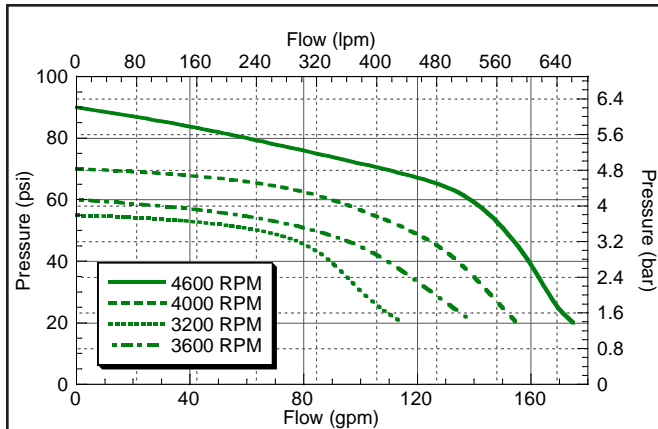
FMC-CW-200-X

- Suction 2" - Discharge 1-1/2"
- For High Volume Applications:
Capacity to 180 GPM
- Clockwise Rotation when Facing
Shaft End
- 3/4" Diameter Stainless Steel Shaft
- Heavy Duty Bearings
- Standard Viton® Carbon/Ceramic seal
or Optional Severe Duty Silicon
Carbide Mechanical Seal
- Chemical Resistant Valox® or Optional
Cast Iron Impeller

Valox® is a registered trademark of GE Plastics.

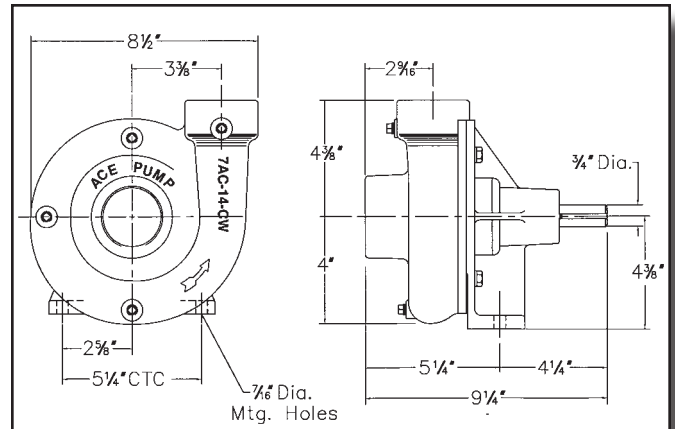
Viton® is a registered trademark of DuPont Dow Elastomers.

PERFORMANCE CHART



$$\frac{\text{Pump RPM}}{\text{Driveshaft RPM}} = \frac{\text{Drive Pulley Diameter}}{\text{Pump Pulley Diameter}}$$

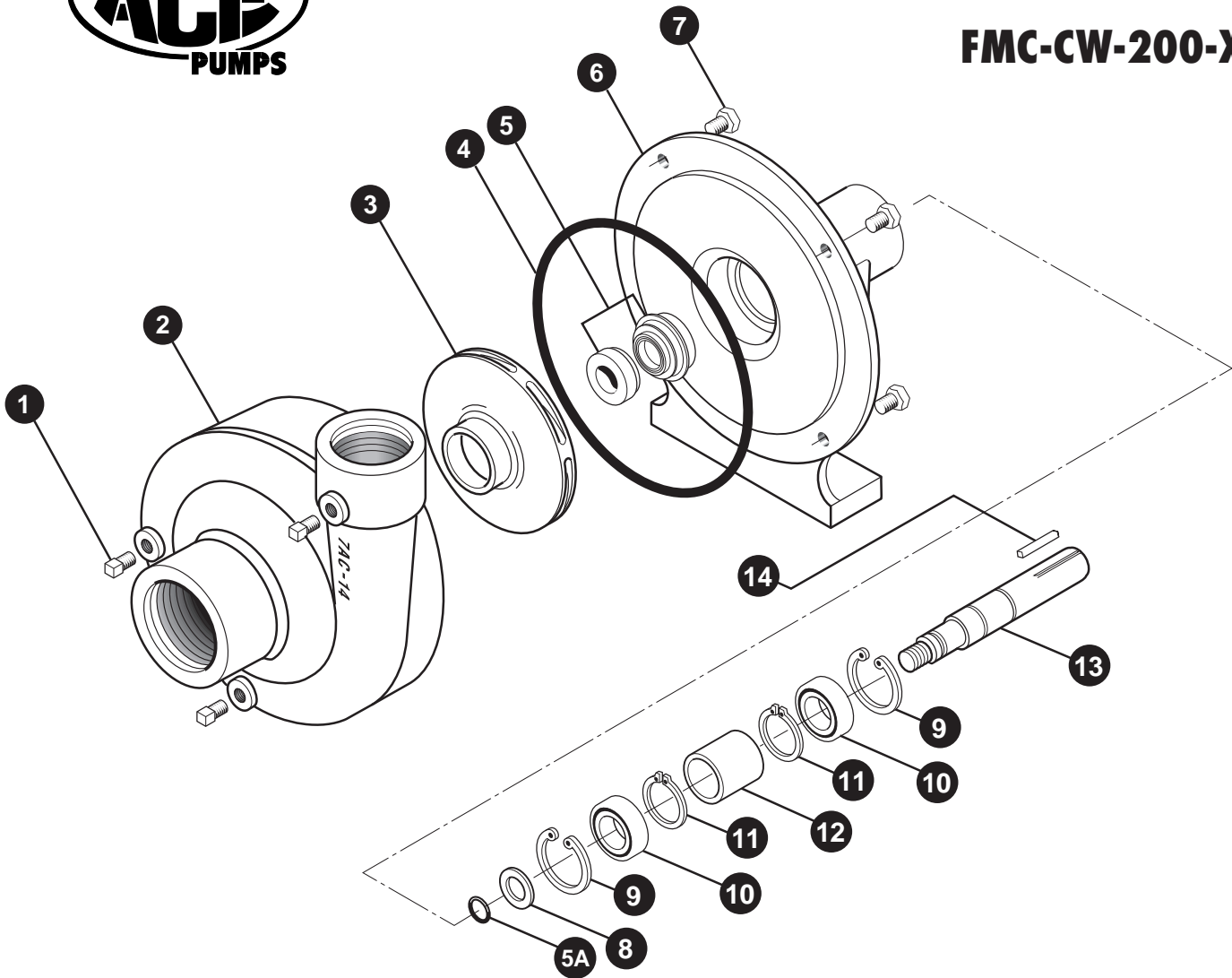
DIMENSIONS



INCHES	9 1/4	8 1/2	5 1/4	4 3/8	4 1/4	4	3 3/8	2 5/8	2 9/16
MM	235.0	215.9	133.4	111.1	108.0	101.6	85.7	66.7	65.1



FMC-CW-200-X



REF. #	PART #	EDP #	DESCRIPTION	REQ.
1	BAC-53	41110	Pipe plug, 1/8" NPT	4
1	41120	41120	Pipe plug, 1/8" NPT, stainless steel (optional)	4
2	7AC-14-4	30145	Volute, 2" x 1-1/2", clockwise rotation, cast iron	1
3	BAC-26-CW-200-P	41523	Impeller, 5-1/8" dia., right hand NF thread, thermoplastic	1
3	BAC-26-CW-200-CI	41520	Impeller, 5-1/8" dia., right hand NF thread, cast iron (optional)	1
4 ^{①②}	BAC-4A	40005	O-ring for BAC-12 volute seal	1
5 ^①	BAC-7V	40151	Seal, Viton mechanical seal, includes 40160 O-ring	1
5 ^②	BAC-7SC	40152	Seal, Silicon carbide mechanical seal, includes 40160 O-ring (optional)	1
5A ^{①②}	40160	40160	O-ring for BAC-6 shaft	1
6	BAC-14X-F	40309	Mounting frame, X series	1
7	40950	40950	Cap screw, 3/8" NC x 3/4" Hex head	4
7	40930	40930	Cap screw, 3/8" NC x 3/4" Hex head, stainless steel (optional)	4
8	BAC-54	41130	Slinger	1
9	BAC-33X	40812	Snap ring, internal, BAC-14X mounting frame	2
10	BAC-37X	40872	Bearing, BAC-6X driven shaft	2
11	BAC-32X	40792	Snap ring, external, BAC-6X driven shaft	2
12	BAC-32X-S	40796	Spacer for BAC-6X shaft	1
13	BAC-6X-CW-SS	41504	Shaft, 3/4" driven, right hand NF thread, stainless steel	1
14	BAC-50	41080	Key, 3/16" x 3/16" x 1-1/4"	1
①	RK-FMC	52700	Repair kit for FMC series	-
②	RK-FMCSC	52706	Repair kit for FMC series with BAC-7SC shaft seal	-