



Frame Mounted Centrifugal Pump



FMC-200

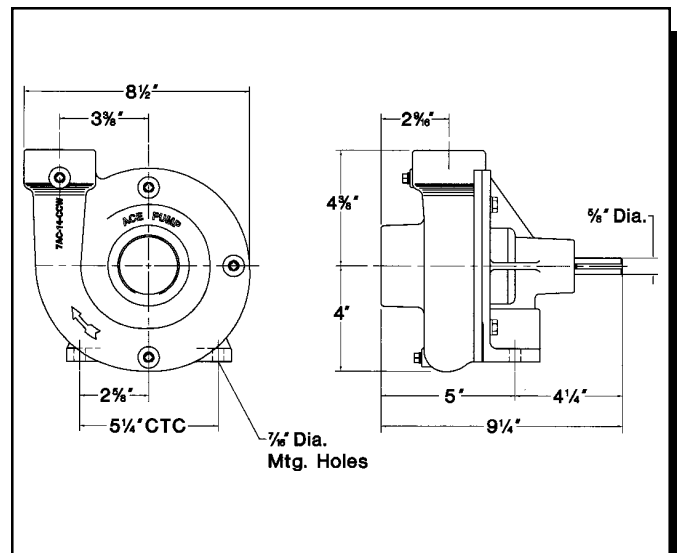
- Suction 2" - Discharge 1-1/2"
- For High Volume Applications: Capacity to 180 GPM
- Counterclockwise Rotation when Facing Shaft End
- Standard Viton Carbon/Ceramic seal or Optional Severe Duty Silicon Carbide Mechanical Seal
- Cast Iron Impeller
- Stainless Steel Shaft

PERFORMANCE CHART

PUMP SHAFT RPM	20 PSI	30 PSI	40 PSI	60 PSI	80 PSI	100 PSI	MAX HP
	GPM	GPM	GPM	GPM	GPM	GPM	
2800	100	50	-	-	-	-	1.7
3200	125	105	97	-	-	-	3.2
3600	140	130	121	-	-	-	4.0
4000	160	145	138	105	-	-	5.3
4600	180	170	163	150	70	40	7.5

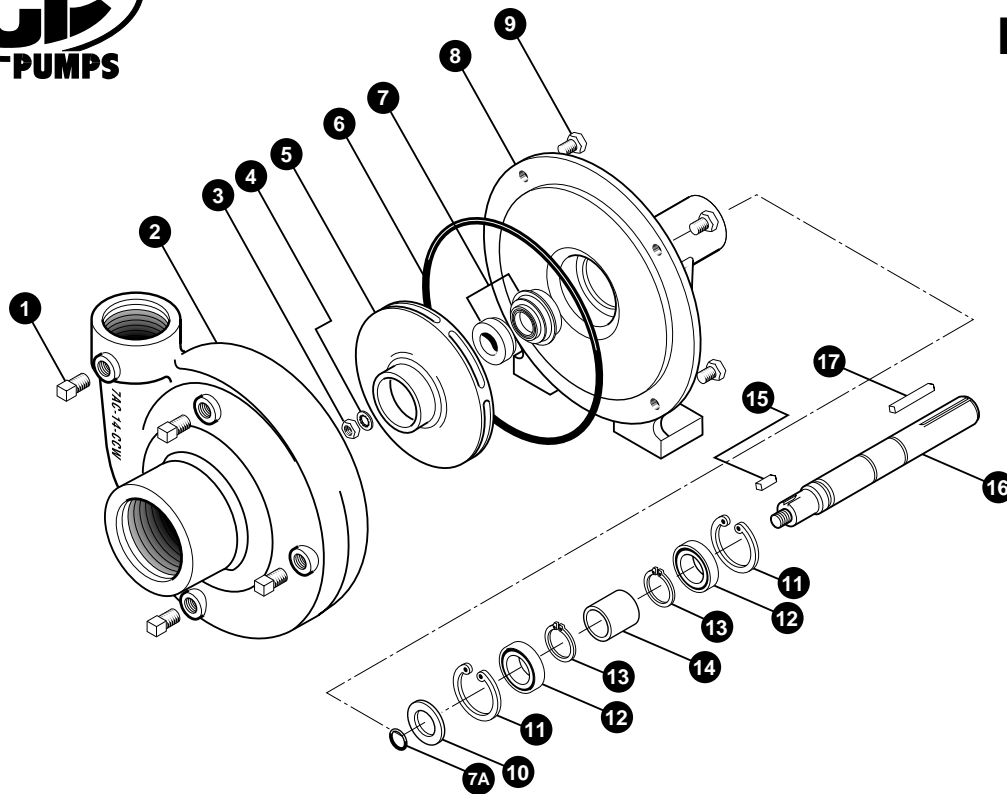
$$\frac{\text{Pump RPM}}{\text{Driveshaft RPM}} = \frac{\text{Drive Pulley Diameter}}{\text{Pump Pulley Diameter}}$$

DIMENSIONS





FMC-200



REF. #	PART #	EDP #	DESCRIPTION	REQ.
1	41110	41110	Pipe plug, 1/8" NPT	4
1	41120	41120	Pipe plug, 1/8" NPT, stainless steel (optional)	4
2	7AC-14-CCW	41526	Volute, 2" x 1-1/2", cast iron	1
3	BAC-23-A	40391	Nut, 3/8" NF Hex, cad plated locknut	1
4	BAC-24-HYD-SS	40400	Washer, 3/8", stainless steel	1
5	BAC-26-200-CI	40433	Impeller, 5-1/2" dia., extended keyway, cast iron, effective Dec. '98	1
5	BAC-26-HYD-200-CI	41525	Impeller, 5-1/2" dia., with keyway, cast iron	1
*6	BAC-4A	40005	"O" Ring for BAC-12 volute seal, effective Apr. '96	1
*6	BAC-4	40010	Gasket, 4 hole	1
*7	BAC-7V	40151	Seal, Viton mechanical seal (includes 40160 "O" Ring)	1
7	BAC-7SC	40152	Seal, Silicon carbide mechanical seal (includes 40160 "O" Ring) (optional)	1
7A	40160	40160	"O" Ring for BAC-6 shaft	1
8	BAC-14-F	40310	Mounting frame	1
9	40930	40930	Cap screw, 3/8" NC x 3/4" Hex head, stainless steel (optional)	4
9	40950	40950	Cap screw, 3/8" NC x 3/4" Hex head	4
10	BAC-54	41130	Slinger	1
11	BAC-33	40810	Snap ring, internal, BAC-14 mounting frame	2
12	BAC-37	40870	Bearing, BAC-6 driven shaft	2
13	BAC-32	40790	Snap ring, external, BAC-6 driven shaft	2
14	BAC-32-S	40795	Spacer for BAC-6 shaft	1
15	BAC-25	40425	Key, 1/8" x 1/8" x 13/16", extended keyway, effective Dec. '98	1
15	BACH-25	40420	Key, 1/8" x 1/8" x 1/2"	1
16	BAC-6-150/200	40055	Shaft, 5/8" Driven shaft with keyway (optional)	1
16	BAC-6-150/200-SS	40056	Shaft, 5/8" Driven shaft with keyway, stainless steel	1
16	BAC-6-200-SS	40057	Shaft, 5/8" Driven, extended keyway, stainless steel, effective Dec. '98	1
17	BAC-50	41080	Key, 3/16" x 3/16" x 1-1/4"	1
#	RK-FMC	052700	Repair kit for FMC series	-

* Items included in pump repair kit.

Ace Pump Corporation • P.O. Box 13187 - 1650 Channel Avenue • Memphis, TN 38113
www.AcePumps.com • Phone: 901-948-8514 • Fax: 901-774-6147

ACE Form #FMC-200