

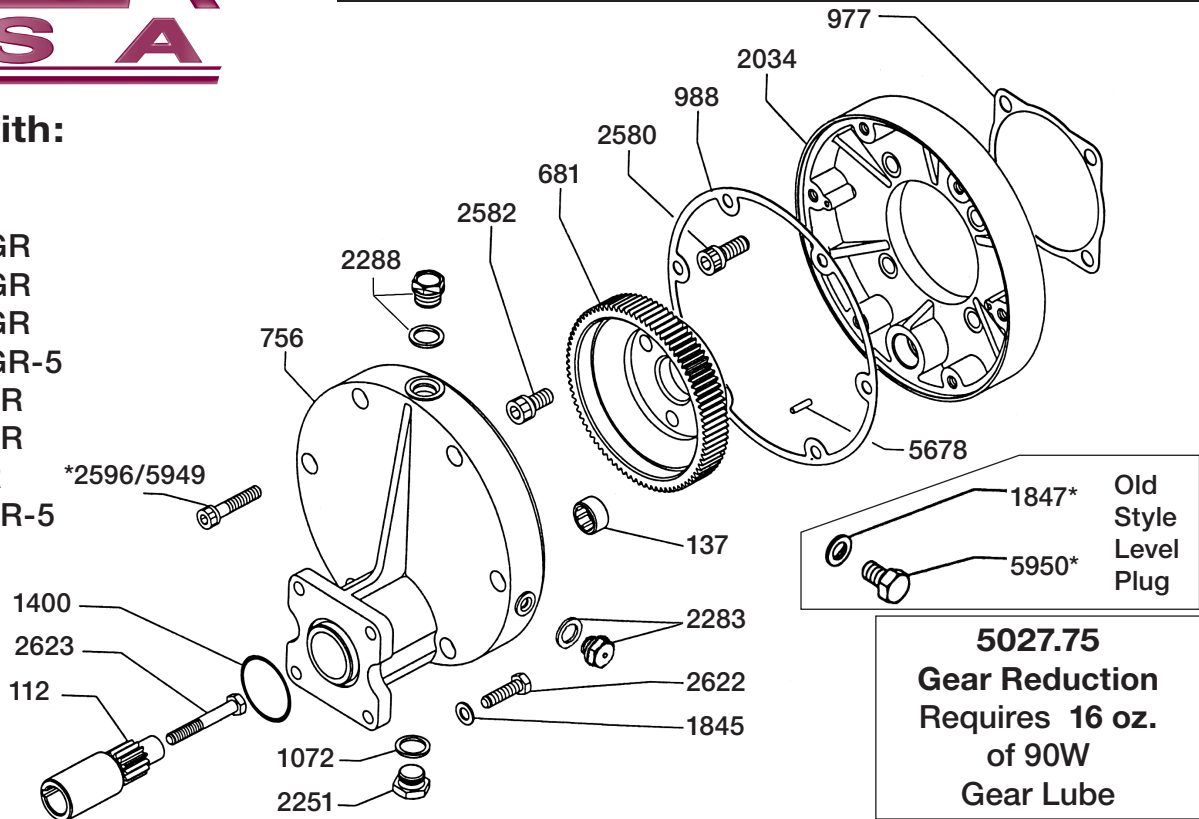


5027.75 Gear Reduction

Parts List and Installation Instructions

For use with:

RO-70/GR-5
 TAU-35/GR
 KAPPA-30/GR
 KAPPA-40/GR
 KAPPA-35/GR
 KAPPA-55/GR-5
 ZETA-40E/GR
 ZETA-40P/GR
 ZETA-85/GR
 ZETA-85P/GR-5



5027.75
Gear Reduction
Requires 16 oz.
of 90W
Gear Lube

REF. #	PART#	DESCRIPTION	QTY	REF. #	PART#	DESCRIPTION	QTY
112	0004.18	Engine Gear	1	2251	1603.02	Oil Plug	1
137	0006.08	Bearing	1	2283	1603.69	Oil Sight Gauge	1
681	0213.22	Pump Gear	1	2288	1603.81	Vent Cap	1
756	0228.23	Gear Case Half	1	2580	1805.01	Bolt	4
977	0602.05	Gasket	1	2582	1805.04	Bolt	3
988	0602.27	Gasket	1	*2596	1805.23	Bolt (old style) Allenhead	6
1072	0605.09	Gasket	1	2622	1807.07	Bolt - 5/16" x 1"	4
1400	1101.57	O-Ring	1	2623	1807.08	Bolt - 5/16" x 2-1/4"	1
1845	1403.10	Washer	4	5678	1512.08	Guide Pin	1
*1847	1403.12	Aluminum Gasket (old style)	1	*5950	1804.77	Side Plug (old style)	1
2034	1505.29	Gear Case Half	1	5949	1804.72	Bolt	6

***NOTE - USE BLUE THREADLOCKER OR EQUIVALENT ON ALL BOLTS.**

1. Apply a light coating of anti-seize compound or grease to engine shaft and install 3/16" key, which is supplied with the engine.
2. Install engine gear (Ref #112) on engine shaft and secure with 5/16" x 2-1/4" bolt (Ref #2623) provided.
3. Install O-Ring (Ref #1400) into groove on gear box and mount assembly onto engine. Secure assembly to engine using the (4) 5/16" x 1" bolts (Ref #2622) and (4) washers (Ref #1845) provided.
4. Fill gear box with 16 oz. of 90W gear lube to Oil Sight Gauge (Ref #2283).

UDOR U.S.A., INC.
 500 Apollo Drive
 Lino Lakes, MN 55014
 TEL. (651) 785-0666
 FAX. (800) 732-2670
 www.udorusa.com