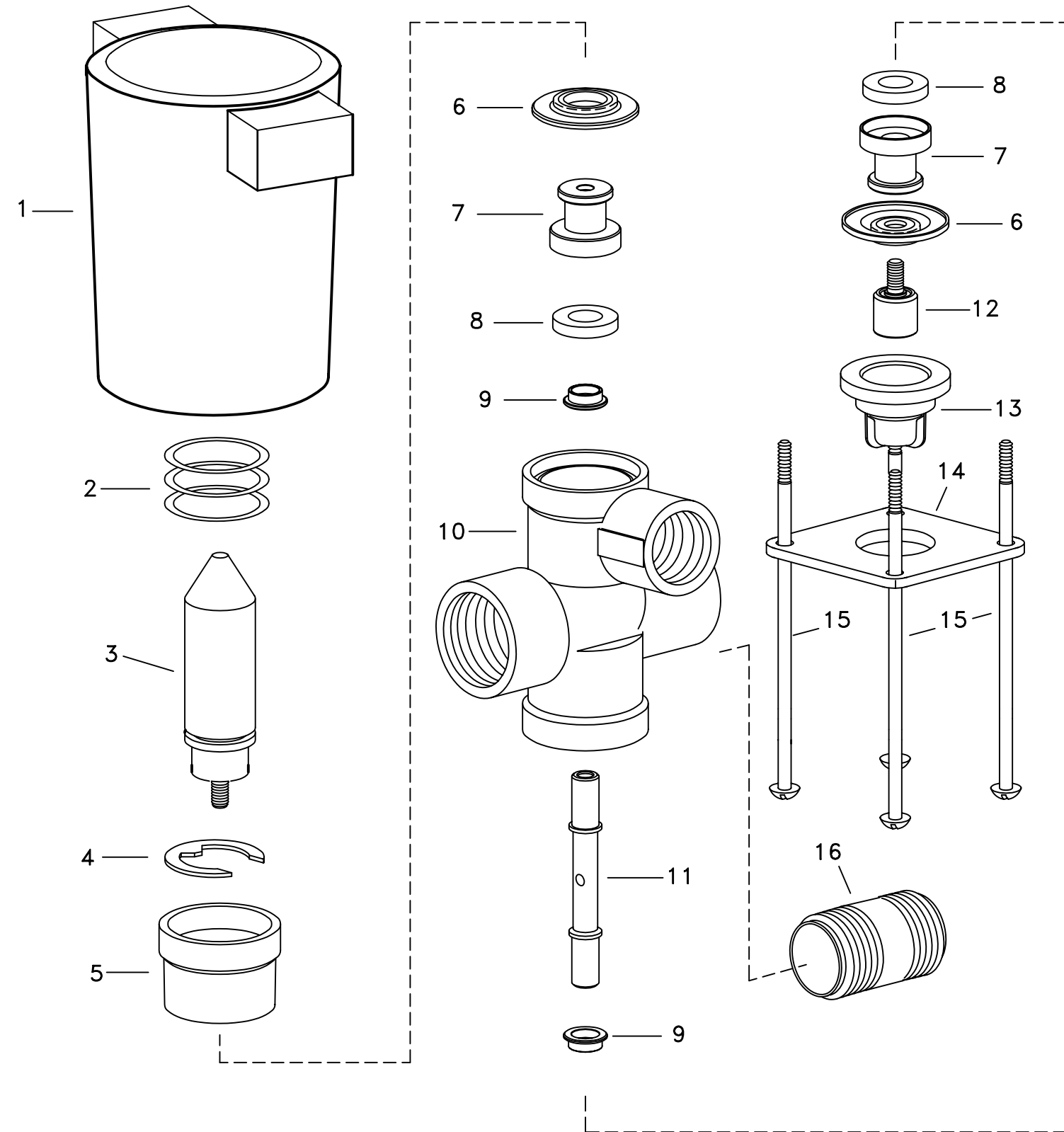
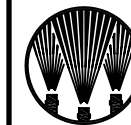


ITEM	PART NO.	DESCRIPTION
1	CP45632	Coil Assembly, Nylon Encapsulated, Stainless Steel & Aluminum
* 2	CP45637-302SS	Spring, Type 302 Stainless Steel
3	CP45634-430FRS	Armature, Type 430 FRS Stainless Steel
4	CP14813-2-SS	Retaining Ring, Stainless Steel
5	CP38074-NYB	Upper Diaphragm Housing, Nylon-Glass Filled (Black)
* 6	CP36101-VI	Diaphragm, Viton (2 Req'd)
* 7	CP25678-SS	Seat Washer Retainer, Stainless Steel (2 Req'd)
* 8	CP14802-VI	Seat Washer, Viton (2 Req'd)
9	CP14811-SS	Spacer, Stainless Steel (2 Req'd)
10	CP21672-1-PPB	Body, Polypropylene (Black) For Model AA144A-1-3 (NPT)
	CPB21672-1-PPB	Body, Polypropylene (Black) For Model AAB144A-1-3 (BSPT)
11	CP21674-SS	Stem, Stainless Steel
12	CP15162-SS	Lower Diaphragm Piston, Stainless Steel
13	CP38075-NYB	Lower Diaphragm Housing, Nylon-Glass Filled (Black)
14	CP14804-1-I	Bottom Plate, Steel-Nitrotec Finish
15	CP21673-SS	Screw, Stainless Steel (4 Req'd)
16	CP21737-NYB	Connecting Nipple, Nylon (Black) Use Only For Multiple Units

AB144P-1-3-KIT, Spare Parts Kit (Includes all items marked with *)
 No. AA144P-1-3, Three-Way Directo Valve By-Pass Valve (NPT Conn.)
 No. AAB144P-1-3, Three-Way Directo Valve By-Pass Valve (BSPT Conn.)
 No. AA144P-2-3, Two-Unit, Three-Way Directo Valve By-Pass Valve (NPT Conn.)
 No. AAB144P-2-3, Two-Unit, Three-Way Directo Valve By-Pass Valve (BSPT Conn.)
 No. AA144P-3-3, Three-Unit, Three-Way Directo Valve By-Pass Valve (NPT Conn.)
 No. AAB144P-3-3, Three-Unit, Three-Way Directo Valve By-Pass Valve (BSPT Conn.)



DESCRIPTION:
 AA(B)144P-1-3
 THREE-WAY SOLENOID OPERATED
 BY-PASS DIRECTO VALVE®



Spraying Systems Co.®

Spray Nozzles and Accessories
 P.O. Box 7900 - Wheaton, Il. 60189-7900

Rev. No. 3

Ref.

Parts List No.

PL 144P-1-3

SHEET OF