

Gearbox 9910-KIT1640

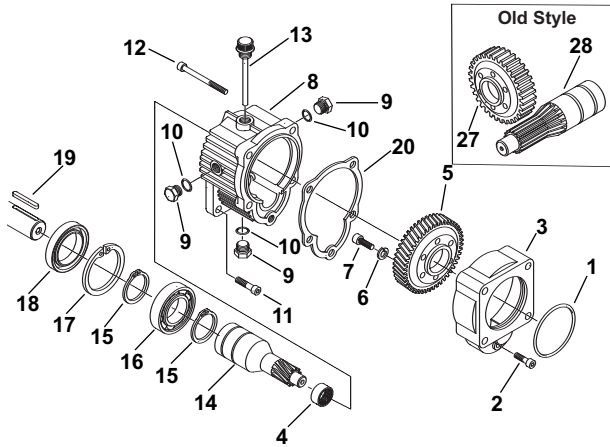


Figure 16

Ref. No.	Description	Tightening Torque	
		In. Lbs.	Nm
2	Bolt	218.7	24.5
7	Bolt	171.4	19.6
9	Plug	171.4	19.6
11	Bolt	218.7	24.5
12	Bolt	218.7	24.5

Ref. No.	Part Number	Description	Qty.
1	9910-620561	O-Ring	1
2	9910-180030	M8 x 20 Bolt	1
3	9910-621000	Pump Adapter Flange	1
4	9910-620990	Bearing	1
5	9910-651620	Gear	1
6	9910-200231	Lock Washer	6
7	9910-620470	M10 x 20 Bolt	3
8	9910-620960	Gearbox Body	1
9	2406-0023	Plug	2
10	9910-740290	O-Ring	2
11	9910-651000	5/16 x 24 UNF x 1 Bolt	4
12	9910-621010	M10 x 75 Bolt	4
13	9910-1140370	Vent Plug	1
14	9910-621660	Pinion Gear	1
15	9910-320240	Retaining Ring (Ext.)	2
16	9910-961780	Bearing	1
17	9910-961790	Retaining Ring (Int.)	1
18	9910-961800	Seal	1
19	9910-881090	Key	1
20	9910-620950	Gasket	1
27	9910-620980	Gear	1
28	9910-620970	Pinion Gear	1

Gearbox 9910-KIT1642

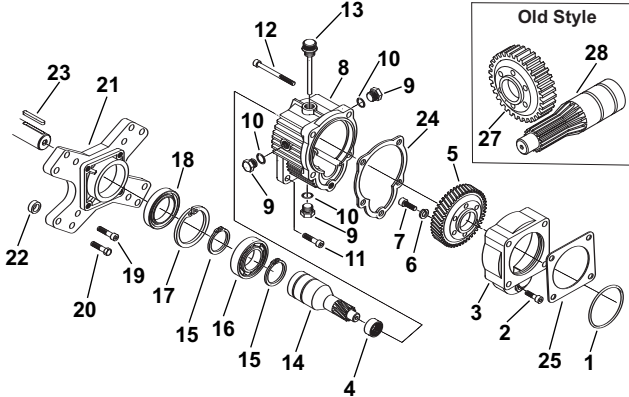


Figure 17

Ref. No.	Description	Tightening Torque	
		In. Lbs.	Nm
2	Bolt	218.7	24.5
7	Bolt	171.4	19.6
9	Plug	171.4	19.6
11	Bolt	218.7	24.5
12	Bolt	218.7	24.5
19	Bolt	218.7	24.5
20	Bolt	218.7	24.5

Ref. No.	Part Number	Description	Qty.
1	9910-620561	O-Ring	1
2	9910-180030	M8 x 20 Bolt	1
3	9910-621000	Pump Adapter Flange	1
4	9910-620990	Bearing	1
5	9910-651620	Gear	1
6	9910-200231	Lock Washer	6
7	9910-160671	M10 x 25 Bolt 1" Long (D50)	3
7	9910-620470	M10 x 20 Bolt 3/4" Long (D30)	3
8	9910-620960	Gearbox Body	1
9	2406-0023	Plug	3
10	9910-740290	O-Ring	3
11	9910-540290	Bolt	4
12	9910-621010	M10 x 75 Bolt	4
13	9910-1140370	Vent Plug	1
14	9910-651610	Pinion Gear	1
15	9910-320240	Retaining Ring (Ext.)	2
16	9910-961780	Bearing	1
17	9910-961790	Retaining Ring (Int.)	1
18	9910-961800	Seal	1
19	9910-651000	5/16 x 24 UNF x 1 Bolt	4
20	9910-961900	3/8 x 16 UNC x 1-1/4 Bolt	4
21	9910-1320940	Engine Adapter Flange	1
22	9910-961770	Spacer	4
23	9910-650990	Key	1
24	9910-620950	Gasket	1
25	9910-650270	Gasket	1
27	9910-620980	Gear	1
28	9910-650400	Pinion Gear	1