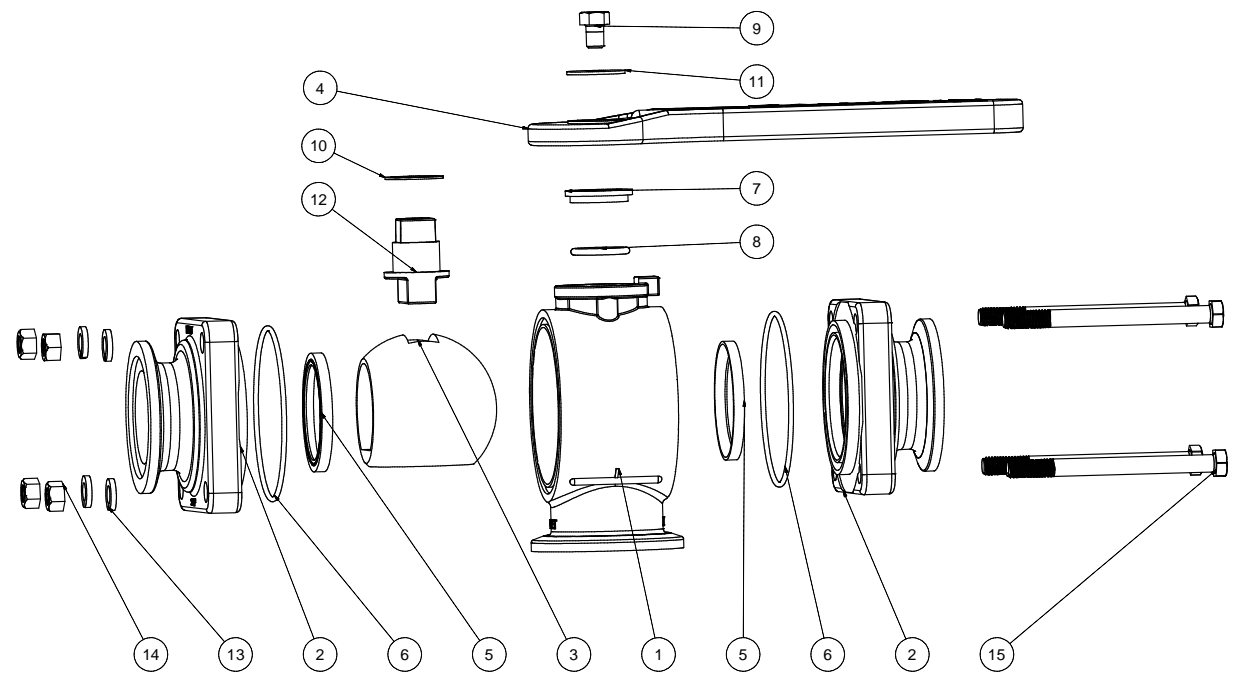


Parts List			
ITEM	QTY	PART NUMBER	DESCRIPTION
1	1	MV25354B	2" FP MNFLD BL VALVE BODY
2	2	V25378	2" FP 3-WAY MNFLD END PLATE
3	1	V25355B	2" FP BL 3-WAY BALL
4	1	V25353B	2" FP BL Handle
5	2	V25258	3" FP Ball Seat
6	2	V25264	CUSTOM BODY O-RING
7	1	V25160	Stem Bushing
8	1	V25163	#214 FKM O'RING
9	1	V25020	3/8" Handle Bolt
10	1	V25060	VALVE STEM THRUST BEARING
11	1	V25121	3/8" Fender Washer
12	1	V25151B	2" FP Stem
13	4	V20018	3/8" LOCKWASHER
14	4	V20019	3/8" HEX NUT
15	4	V25017	3/8-16 X 4 1/2" HHCS
16	1	050DECAL	DECAL (N/S)
17	1	VL200BL	DECAL (N/S)



THIS DRAWING AND ALL INFORMATION CONTAINED THEREON ARE THE EXCLUSIVE PROPERTY OF BANJO CORPORATION.

UNLESS SPECIFICALLY NOTED, THIS DRAWING AND ITEMS SHOWN ON THIS DRAWING ARE SUBJECT TO CHANGE AT ANY TIME.



BANJO CORPORATION
 150 BANJO DRIVE, CRAWFORDSVILLE, IN 47933
 WEB SITE: WWW.BANJOCORP.COM
 E-MAIL: BANJO.SALES@IDEXCORP.COM

DESCRIPTION
2" FP BOTTOM LOAD VALVE

PART NUMBER
MV220BL