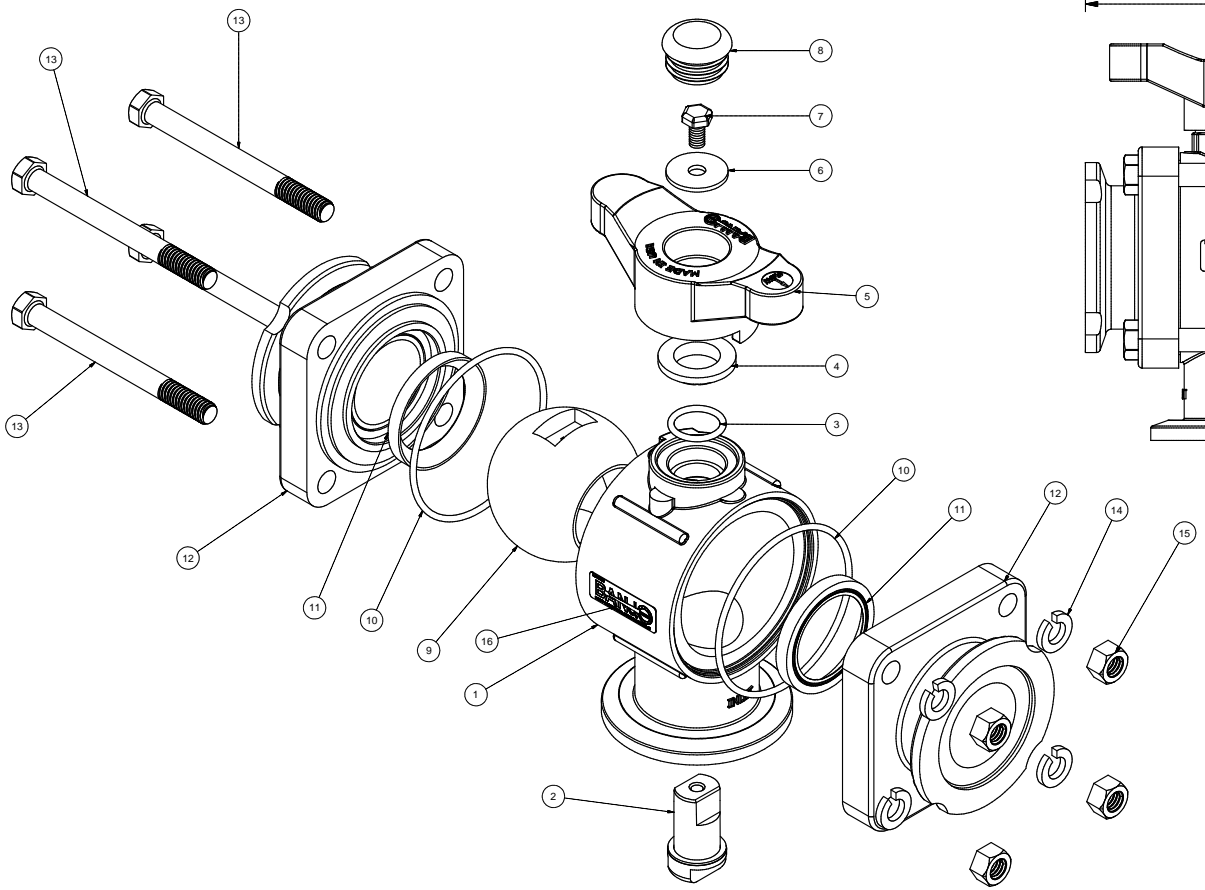


Parts List			
ITEM	QTY	PART NUMBER	DESCRIPTION
1	1	MV20354B	2" BL Manifold Body, Machined
2	1	V20151M	VALVE STEM W/ BEARING
3	1	V20163	#116 O'RING, FKM
4	1	V20159	2" STEM BUSHING
5	1	V20353TB	2" BOTTOM LOAD T-HANDLE
6	1	V20021	Handle Washer
7	1	V20020	2" handle Bolt
8	1	V20353C	1 1/8" CAPLUG
9	1	V20355B	2" 3-Way BL Ball
10	2	VE20264	2-150 O'RING, FKM
11	2	VE20258A	2" VE Seat TFM
12	2	V20394	2" Manifold SL/BL Endplate
13	4	V20017	3/8-16 X 4" HHCS
14	4	V20018	3/8" LOCKWASHER
15	4	V20019	3/8" HEX NUT
16	1	050DECAL	Banjo Logo Decal



THIS DRAWING AND ALL INFORMATION CONTAINED THEREON ARE THE EXCLUSIVE PROPERTY OF BANJO CORPORATION. UNLESS SPECIFICALLY NOTED, THIS DRAWING AND ITEMS SHOWN ON THIS DRAWING ARE SUBJECT TO CHANGE AT ANY TIME.

**BANJO CORPORATION**  
 150 BANJO DRIVE, CRAWFORDSVILLE, IN 47933  
 WEB SITE: WWW.BANJOCORP.COM  
 E-MAIL: BANJOSALES@IDEXCORP.COM

DESCRIPTION  
 2" BL Manifold 3 Way Valve

PART NUMBER  
 MV200BL