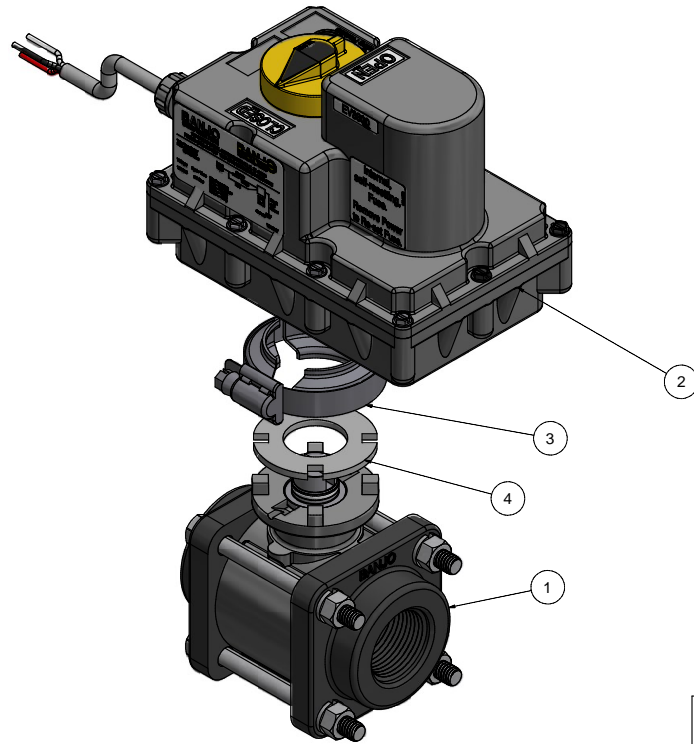
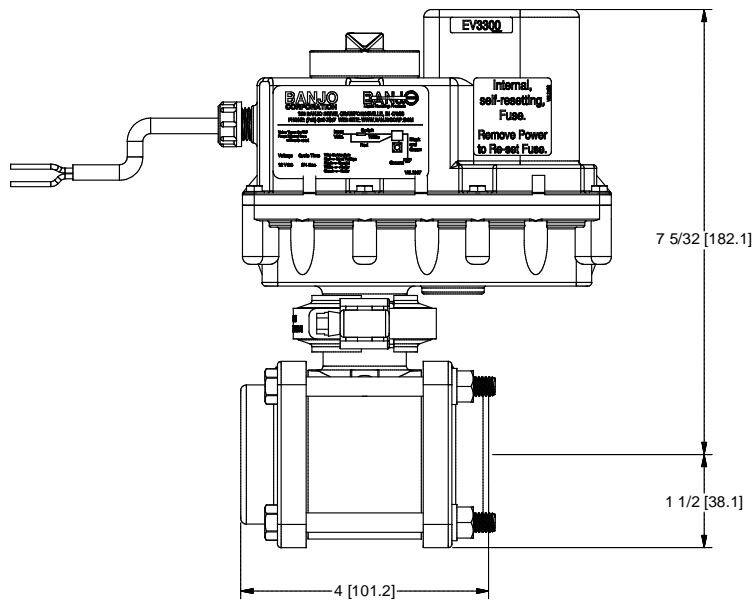
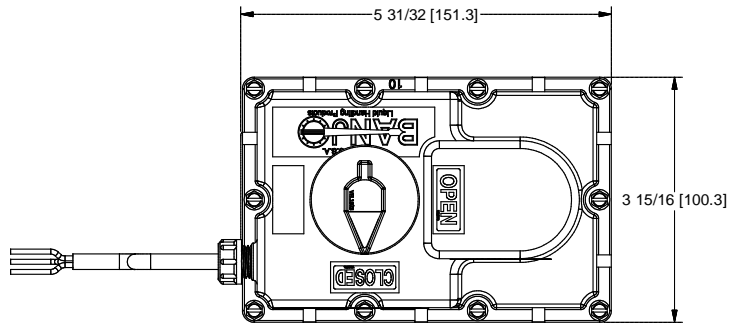


Parts List			
ITEM	QTY	PART NUMBER	DESCRIPTION
1	1	EV100XR1	1" FP Valve SubAssy
2	1	EV3300	3/4 Sec, 3 Wire, EV Actuator Assy
3	1	FC100	1" HI TORQUE CLAMP
4	1	MVE004	MVE Mounting Breather



BANJO CORPORATION

BANJO CORPORATION
 150 BANJO DRIVE, CRAWFORDSVILLE, IN 47933
 WEB SITE: WWW.BANJOCORP.COM
 E-MAIL: BANJO.SALES@IDEXCORP.COM

DESCRIPTION
1" FP Electric Valve 3/4 Sec, 3 Wire, On/Off

PART NUMBER
EV100FP

THIS DRAWING AND ALL INFORMATION CONTAINED THEREON ARE THE EXCLUSIVE PROPERTY OF BANJO CORPORATION.

UNLESS SPECIFICALLY NOTED, THIS DRAWING AND ITEMS SHOWN ON THIS DRAWING ARE SUBJECT TO CHANGE AT ANY TIME.