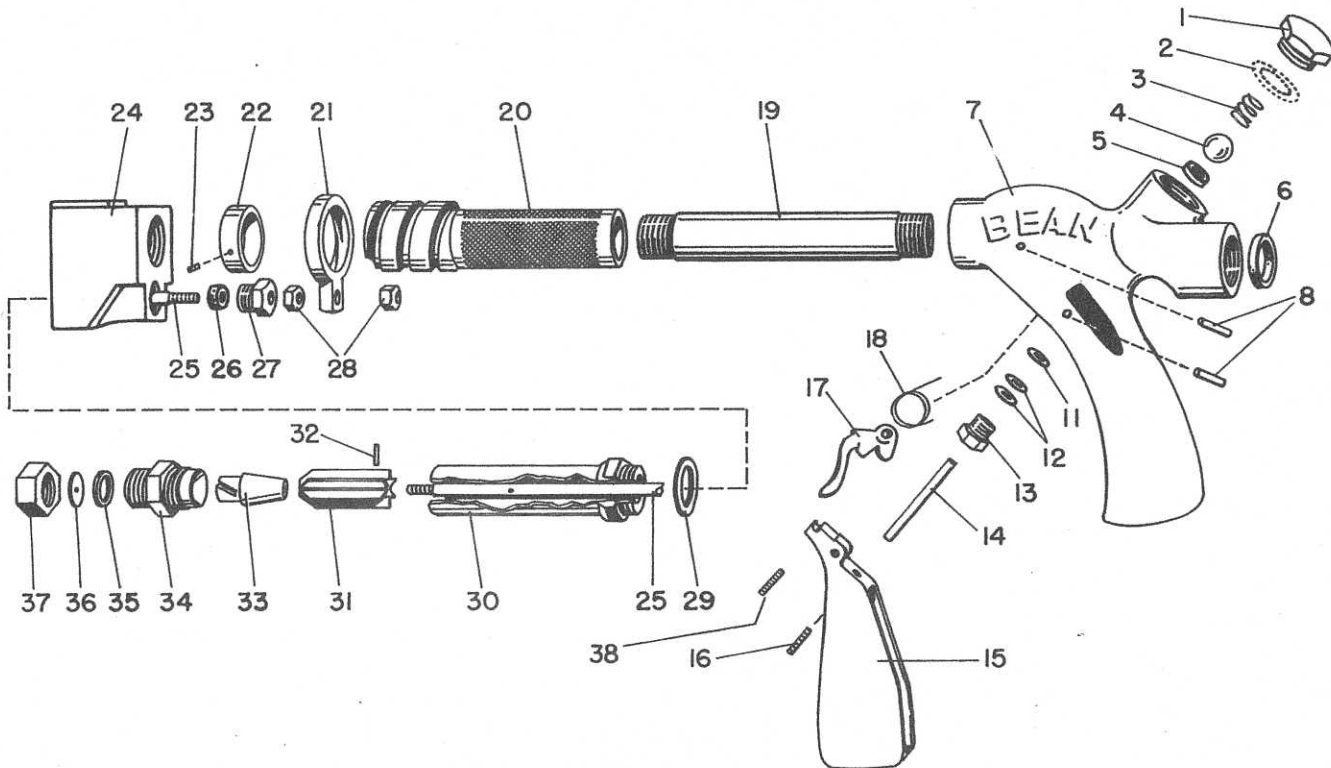


## Parts list for Model 785 Spray Gun



Part No.	Part Name	Part No.	Part Name
1	25 011 Cap (see note at Ref. 2)	1	25 15 475 Stem, Gun Valve
2	15 473 Gasket, Cap (not used with non-recessed type cap)	26*	15 621 Packing, Valve Stem
3*	15 468 Spring, Gun Valve Ball	27	24 996 Nut, Stem Packing
4*	1 187 040 Ball, 1 3/6" Stn. Steel	28	1 182 563 Nut, 5/16" - 18NC-Cad. Pl.
5*	15 467 Seat, Valve Ball Stn. Steel	29*	15 473 Gasket
6*	17 236 Gasket, (Fig. 393-3/4")	30	15 479 Outer Tube Assembly
7	24 991 Grip & Seat Assembly	31	15 477 Stream Straightener
8*	1 101 104 Roll Pin	32	15 505 Pin
11	20 116 Bearing, Stem	33	15 480 Valve & Whirl (standard w/no hole at center)
12*	20 115 Packing, Stem		27 474 Valve & Whirl (opt'l. w/ 1/8" Diam. hole at center)
13	20 114 Packing Nut Stem	34	16 591 Body, Nozzle (Std. - 5/16" hole)
14	20 113 Stem, Ball Lifter		17 481 Body, Nozzle (opt'l. 3/8" hole large capacity) see a below
15	24 989 Trigger, Gun	35	15 528 Gasket, Nozzle
16	1 277 491 Set Screw, Self Locking 1/4" - 20 x 3/4"	36*	15 708 Disc. # 12 (installed in gun) See tag attached to gun for other discs and capacities.
17	24 988 Latch, Gun Trigger	37	15 481 Cap, Nozzle 16 555 Disc #22
18*	24 992 Spring, Trigger Latch	*	1 - 14812 #8 disc, 1 - 14813 #10 disc
19	24 994 Barrel, Spray Gun	38	1285 529 Set Screw 1/4-20 x 1/2"
20	24 997 Cam & Tube Assy., Gun		*Items included in #5251846 repair kit.
21	24 995 Follower, Cam		
22	24 993 Collar		
23	1 177 890 Set Screw, #10-32 x 3/16" Cup Point		
24	24 967 Body, Gun (offset)		