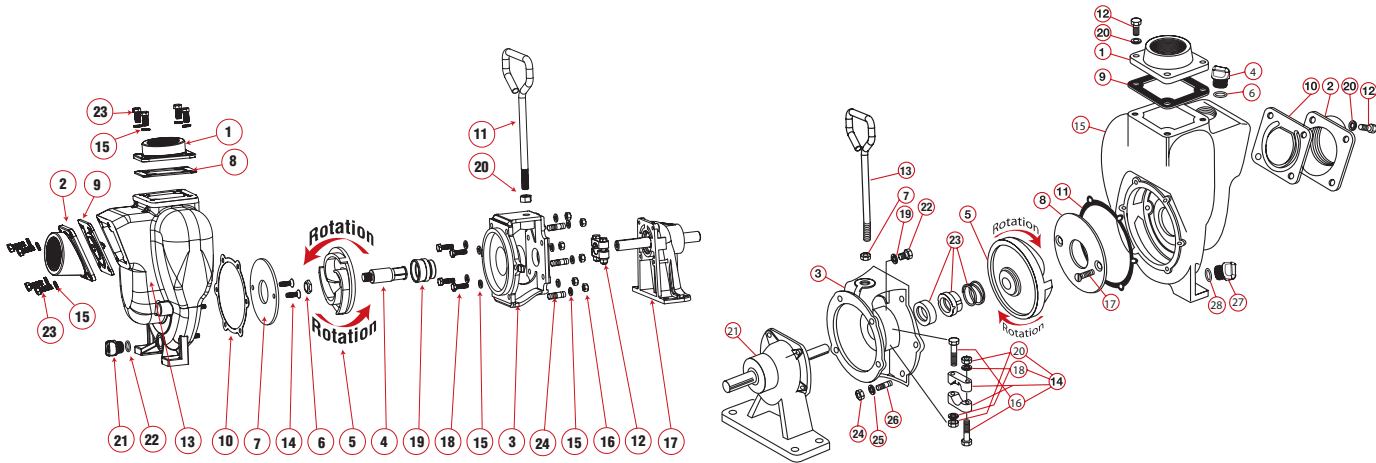


***NOTE:** See page 178 for old style replacement parts.



REPLACEMENT PARTS 2" SS PUMPS			
ITEM	PART NO	DESCRIPTION	QTY
1	17000SS	SS Outlet Flange	1
2	17002SS	SS Inlet Flange	1
3	17004SS	SS Adapter for Gas Engine	1
3	17046SS	CF Adapter for Electric Motor	1
4	17005SS	5/8" SS Sleeve Drive	1
4	17006SS*	3/4" SS Sleeve Drive	1
4	17007SS	7/8" SS Sleeve Drive	1
5	17008SS*	SS Impeller	1
5	17008-4.1SS	4.1" SS Impeller	1
5	17008-4.6SS	4.6" SS Impeller	1
6	17009B	5/8" Impeller Nut	1
7	17011SS*	SS Wear Plate	1
8	17014	FKM (viton type) Outlet Gasket	1
9	17017	FKM (viton type) Check Valve Assembly Gasket	1
10	17018	Adapter Gasket	1
11	15022	Handle	1
12	17023	5/8" Clamp, 3/4" SS Shaft (Old Style)	1
12	17123	5/8" Clamp, 3/4" SS Shaft (Keyed Clamp)	1
12	17024	7/8" Clamp, 3/4" SS Shaft	1
13	17026SS	SS Pump Housing	1
14	17130SS	3/8" -16 x 1" Bolt	2
15	V10118	5/16" Lock Washer	18
16	V10119	5/16" -18 SS Hex Nut	6
17	12882A	Bearing Pedestal Assembly w/ 3/4" Shaft	1
18	17040	Bolt	4
19	17035SS	FKM (viton type) SS Seal Assembly	1
20	17010	1/2" - 24 x 1" HHCS	1
21	12777	Drain Plug	1
22	UV15163	O-Ring for Drain Plug	1
23	17019	5/16" - 18 x 3/4" Cap Screw	8
24	17042	Stud	6
N/S	17032SS	1/4" SS Drain Plug	1
N/S	17100SS	Pump Repair Kit(Consists of 4,5,7,10,14,19)	1

REPLACEMENT PARTS 3" SS PUMPS			
ITEM	PART NO	DESCRIPTION	QTY
1	18008SS	NPT Outlet Flange	1
2	18012SS	NPT Inlet Flange	1
3	18026SS	Adapter for Gas Engine	1
3	18048SS	SS C-Flange Adapter	1
4	13777	Plug	1
5	18023SS	1" SS Impeller & Drive Shaft for Gas Engine	1
5	18023-1.125SS	1 1/8" SS Impeller & Drive Shaft for Electric Motor	1
6	13778	O-Ring	1
7	18034	5/8" SS Jam Nut	1
8	18004SS	SS Wear Plate	1
9	18044	FKM (viton type) Outlet Gasket	1
10	18042	FKM (viton type)Gasket Check Valve Assembly	1
11	18021	Adapter Gasket	1
12	18010SS	3/8" - 16 x 1 1/8" SS Cap Screw HXHD	8
13	18033	Handle	1
14	18029	Clamp Assembly (Old Style)	1
14	18129	Clamp Assembly (New Style)	1
15	18001SS	SS Pump Housing	1
16	18030	3/8" -24 x 2 1/4" SS Bolt	2
17	18106SS	Wear Plate Flat Head Screw	2
18	V20018	3/8" Lock Washer	8
19	18032	3/8" x 24 SS Hex Nut	2
20	18504	1" Shaft	1
21	18500	Bearing Pedestal	1
22	18027	3/8" -16 x 1 1/2" HHCS	1
23	18025SS	FKM (viton type) Seal Assembly	1
24	V20019	3/8" 16 SS Hex Nut	6
25	V20018	3/8" SS Lock Washer	6
26	18218	3/8" -16 x 3/8" -24 x 1 1/2" SS Stud	6
27	12777	Plug	1
28	UV15163	O-Ring	1
N/S	18100SS	Repair Kit(Consist of items 5, 8,11,17 & 25)	1