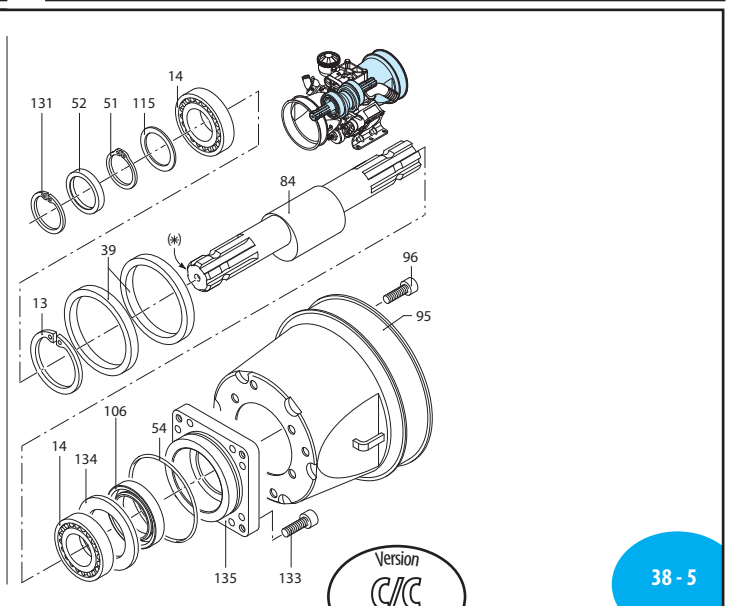
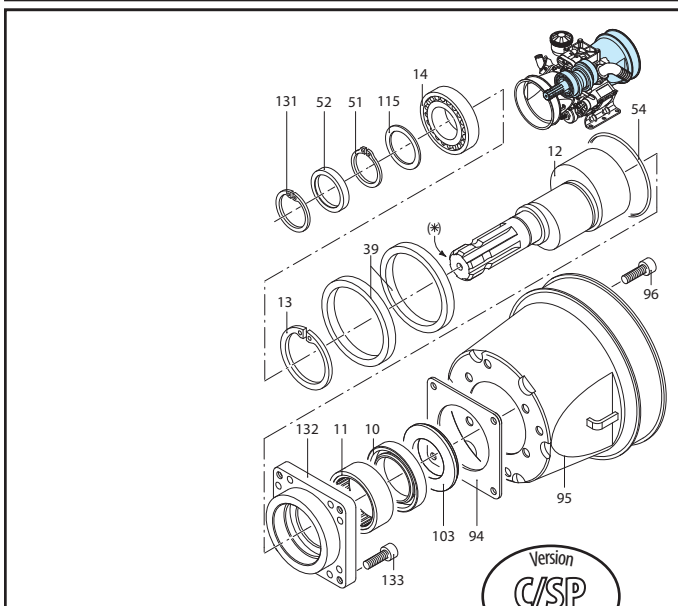
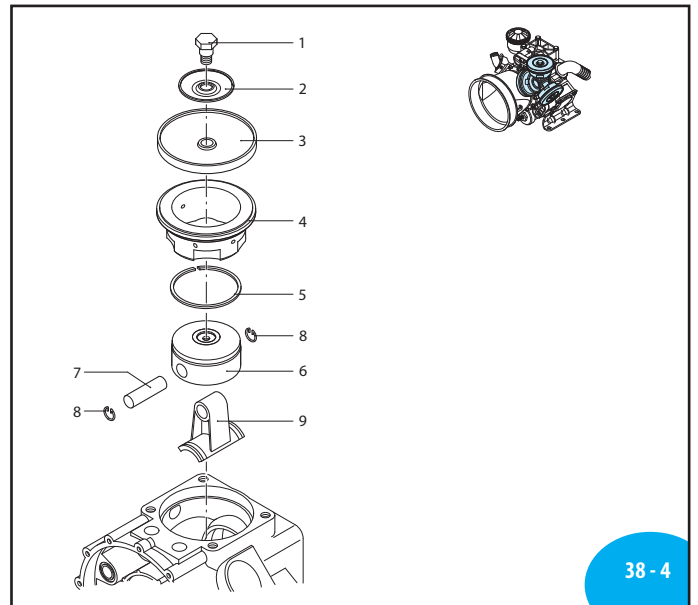
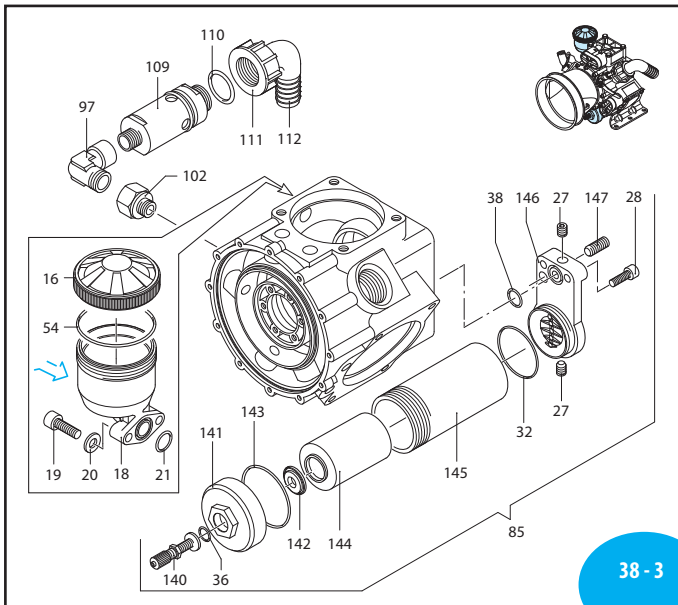
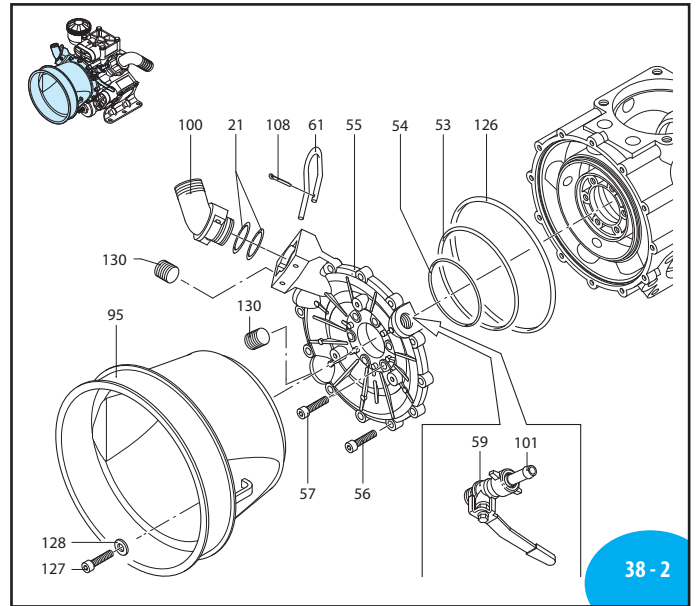
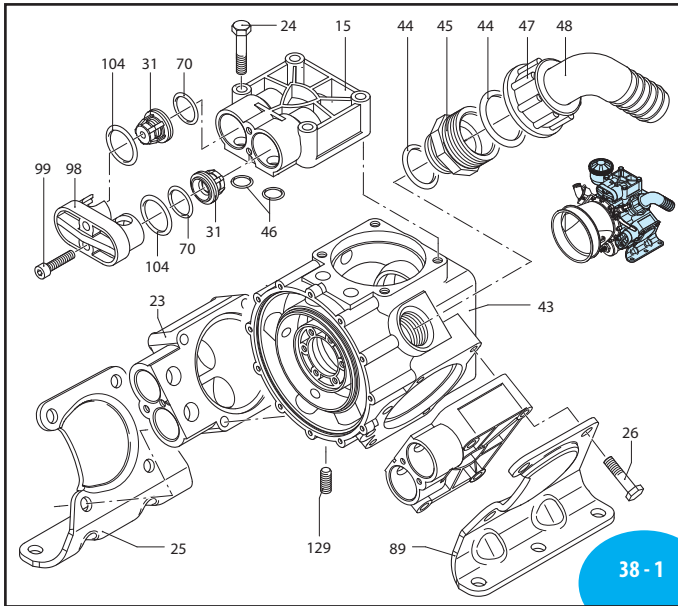


# A.R. NORTH AMERICA

## AR 813



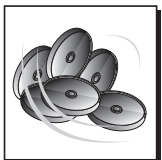
# AR 813

Pos	Code	Description	Qty	Note
1	580361	Hub pin	3	T265*
2	1040180	Plate	3	
}	1040080	Diaphragm	3	Desmopan
	1040083	Diaphragm	3	BlueFlex™
	1040081	Diaphragm	3	NBR
	1500080	Sleeve	3	
5	650190	Piston ring	3	
6	1040120	Piston Ø 63	3	
7	1040070	Pin	3	
8	1040270	Ring circlip Øi 15	6	
9	1800050	Connecting-rod	3	
10	1400150	Ring seal	1	
11	650200	Bearing	1	
12	1800200	Shaft C/SP m-34	1	
13	161050	Ring circlip Øi 72	1	
14	161060	Bearing	2	
15	1040551	Head marked DX	2	
16	1800060	Plug black	1	
18	680031	Tank	1	
19	680350	Screw TCEI M8x35	2	T90*
20	380241	Washer	2	
21	390180	O-ring Ø 18.72x2.62	3	
23	1040552	Head sx	1	
24	1480040	Screw TE M12x60	4	T445*
25	1800440	Foot	1	
26	750060	Screw TE M12x65	8	T445*
27	1040470	Screw M10x8	2	SS T90*
28	320360	Screw TCEI M8x22	2	T180*
31	1409050	Valve	6	
32	540360	O-ring Ø 44.12x2.62	1	
36	650542	Gasket	1	
38	640070	O-ring Ø 13.95x2.62	1	
39	1040340	Ring connecting rod	2	
43	1800140	Pump body	1	
44	250310	O-ring Ø 36.14x2.62	2	
45	540530	Fitting 1"1/4 G - 1"3/4 G M-M	1	
46	960160	O-ring Ø 17.86x2.62	6	(a)
	770571	O-ring Ø 18.77x1.78	6	(b) Viton
47	540540	Ring nut 1" 3/4 G	1	
48	540550	Elbow 1 1/2"	1	
51	1040570	Ring circlip Øe 35	1	
52	1040050	Ring seal	1	
53	1800161	O-ring Ø 113.97x2.62	1	Viton
54	1040060	O-ring Ø 72.69x2.62	3	
55	1800150	Line asp./manifold	1	
56	1040370	Screw TCEI M6x22	12	T90*
57	780060	Screw TCEI M6x25	6	T90*
59	130491	Ball valve 3/8" G - 1/2" G M-M DX	1	
61	1040690	Fork	1	

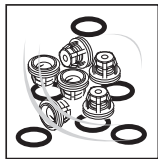
Pos	Code	Description	Qty	Note
70	620030	O-ring Ø 25.80x3.53	6	
84	1800180	Shaft C/C m-W	1	
85	1536	Air chamber	1	
89	1800430	Foot	1	
94	1400140	Flange	1	
95	1500350	Shield	2	Ø 199 mm
	1500470	Shield	2	Ø 239 mm
96	820670	Screw TCEI M10x16	4	T90*
97	881560	Fitting 1/2" G M-F	1	
98	1300190	Plug	3	
99	620610	Screw TCEI M8x30	6	T445*
100	1040760	Fitting 3/4" G M	1	
101	110131	Ring nut 1/2"	1	
102	881461	Threaded adapter 3/8" G - 1/2" G	1	
103	1400110	Ring	1	
104	540361	O-ring Ø 33.14x2.62	6	
106	160740	Ring seal	1	
108	1040950	Split pin	1	
109	1609002	Safety valve	1	
110	880831	O-ring Ø 15.54x2.62	1	Viton
111	550450	Ring nut 3/4" G	1	
112	550460	Elbow 3/4"	1	
115	1040850	Spacer	1	
126	1400120	O-ring Ø 145.72x2.62	1	
127	1343510	Screw TCEI M6x14	3	T90*
128	881710	Washer	3	
129	1040260	Screw M10x25	1	T90*
130	1800240	Screw	2	T90*
131	1460490	Ring circlip Øi 47	1	
132	1800210	Flange	1	
133	180030	Screw TCEI M8x20	8	T90*
134	1800230	Spacer	1	
135	1800220	Flange	1	
136	1800190	Shaft C/F m-Q	1	
137	230310	Bearing	1	
138	200150	Ring seal	1	
139	1800120	Flange	1	
140	1800350	Air valve	1	
141	1800270	Cover	1	
142	1800311	Plate	1	
143	650560	O-ring Ø 56.82x2.62	1	
144	1800300	Diaphragm air chamber	1	
145	1800280	Pipe	1	
146	1800290	Fitting	1	
147	1040260	Screw M10x25	1	T90*

(a) From serial number N° 1802013001  
(b) Up to serial number N° 1801913999  
\* Torque: in-lbs +/- 10%

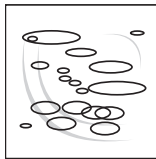
High pressure



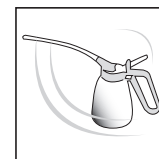
<b>AR 43298</b> Buna diaphragms	
<b>AR 43301</b> BlueFlex™ diaphragms	
<b>AR 43299</b> Desmopan diaphragms	
<b>AR 43300</b> Viton diaphragms	
Pos.	Qty
3	3
32	1
38	1
46	6
144	1



<b>AR 1963</b> Valves	
Pos.	Qty
31	6
70	6



<b>AR 43020 (a) / AR 43018 (b)</b> O-Rings			
Pos.	Qty	Pos.	Qty
21	3	126	1
32	1	143	1
38	1		
44	2		
46	6		
53	1		
54	3		
70	6		
104	6		
110	1		



<b>Suggested oil</b>	
Type	Oz
AR64516	16
Crankcase Oil Capacity 37 oz	

