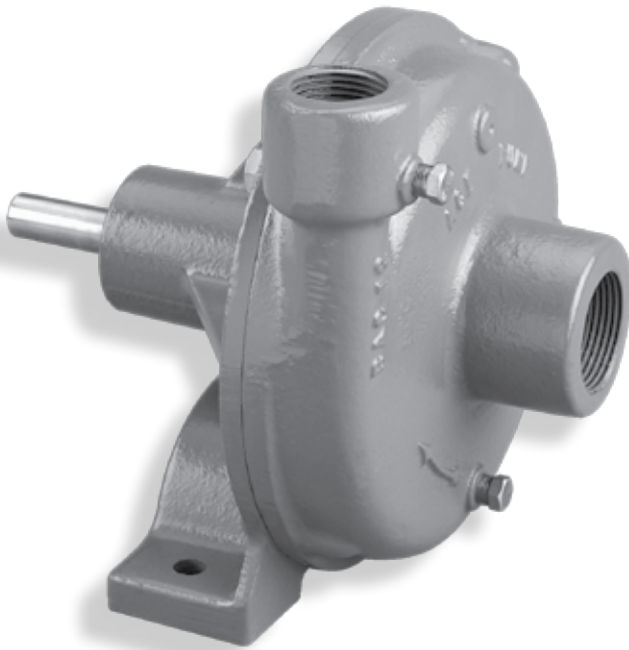




Frame Mounted Centrifugal Pump



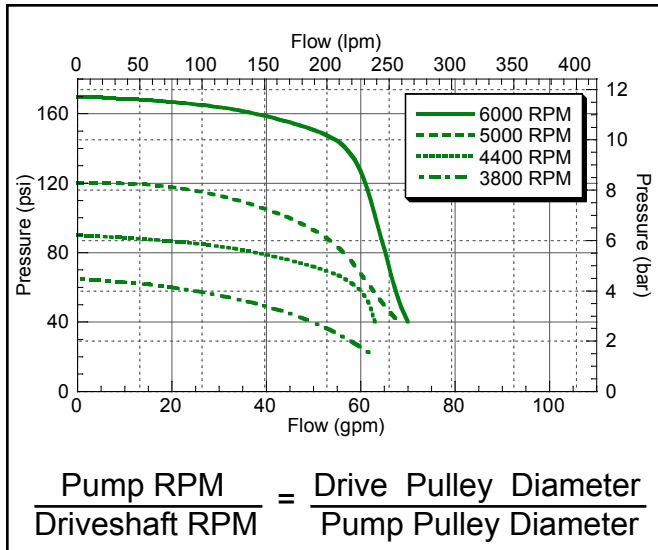
FMC

- Suction 1-1/4" - Discharge 1"
- Counterclockwise Rotation when Facing Shaft End
- Stainless Steel Shaft and Wear Ring
- Chemical Resistant Valox® or Optional Cast Iron Impeller
- Standard Viton® Carbon/Ceramic seal or Optional Severe Duty Silicon Carbide Mechanical Seal

® Valox is a registered trademark of GE Plastics.

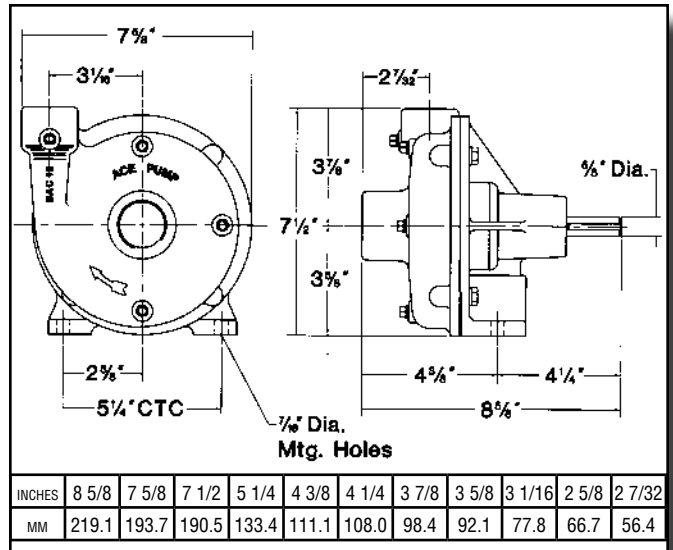
® Viton is a registered trademark of DuPont Dow Elastomers.

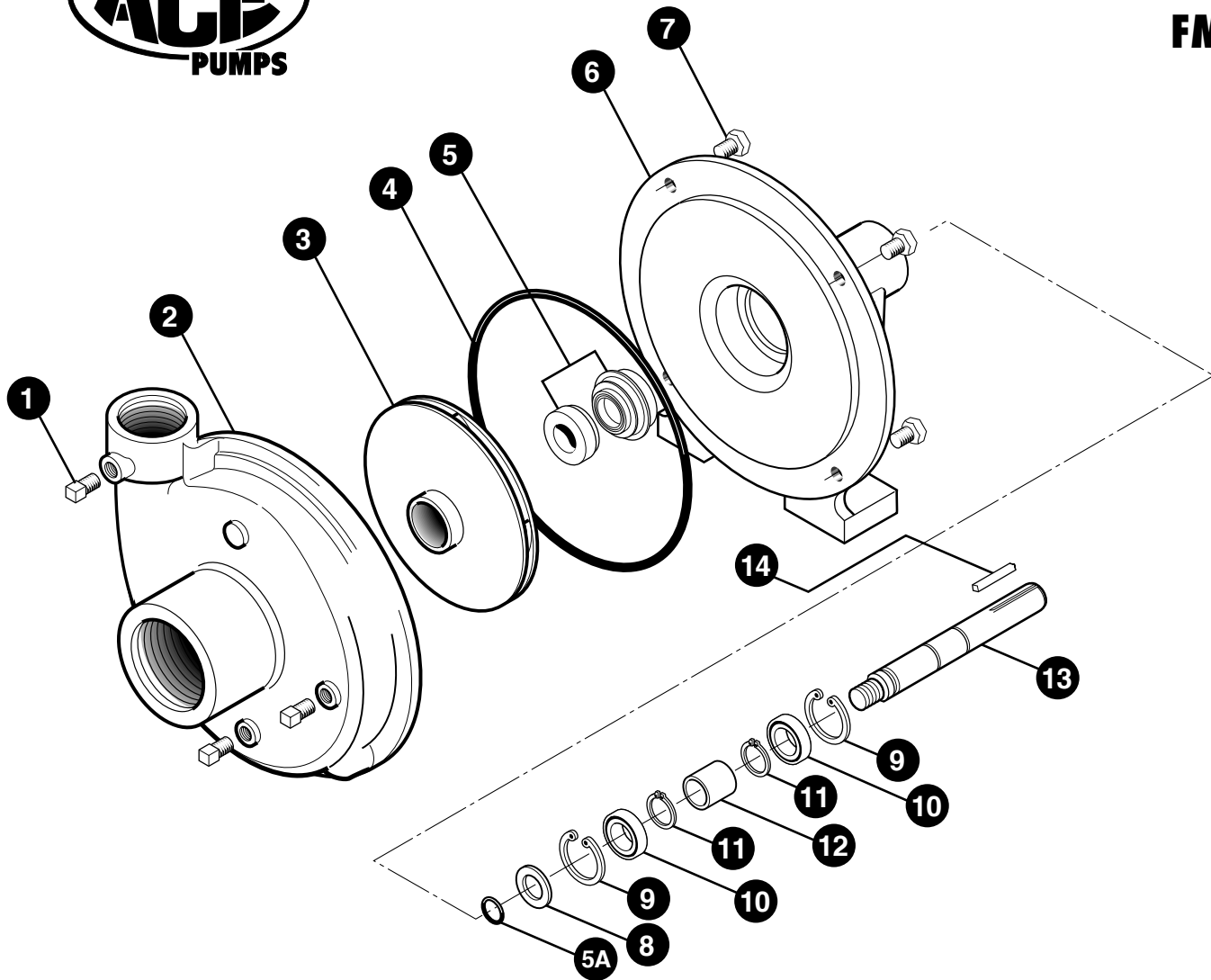
PERFORMANCE CHART



$$\frac{\text{Pump RPM}}{\text{Driveshaft RPM}} = \frac{\text{Drive Pulley Diameter}}{\text{Pump Pulley Diameter}}$$

DIMENSIONS





| REF. # | PART NUMBER | EDP # | DESCRIPTION | REQ. |
|------------------|--------------|-------|--|------|
| 1 | BAC-53 | 41110 | Pipe plug | 3 |
| 1 | 41120 | 41120 | Pipe plug, stainless steel (optional) | 3 |
| 2 | BAC-12 | 40250 | Volute, 1 1/4" x 1" | 1 |
| 3 | BAC-26-VALOX | 40430 | Impeller, Valox, left hand thread | 1 |
| 3 | BAC-26-CI | 40432 | Impeller, cast iron, left hand thread (optional) | 1 |
| 4 ^{①②} | BAC-4A | 40005 | O-ring, body seal | 1 |
| 4 | BAC-4 | 40010 | Gasket, 4 hole, (obsolete 1996) | 1 |
| 5 ^① | BAC-7V | 40151 | Seal, mechanical, Viton, includes 40160 "O" Ring | 1 |
| 5 ^② | BAC-7SC | 40152 | Seal, mechanical, silicon carbide, includes 40160 (optional) | 1 |
| 5A ^{①②} | 40160 | 40160 | "O" Ring for BAC-6 shaft | 1 |
| 6 | BAC-14-F | 40310 | Mounting frame | 1 |
| 7 | 40950 | 40950 | Cap screw, 3/8" NC x 3/4" hex head | 4 |
| 7 | 40930 | 40930 | Cap screw, 3/8" NC x 3/4" hex head, stainless steel (optional) | 4 |
| 8 | BAC-54 | 41130 | Slinger | 1 |
| 9 | BAC-33 | 40810 | Snap ring, internal, BAC-14 mounting frame | 2 |
| 10 | BAC-37 | 40870 | Ball bearing, sealed, BAC-6 shaft | 2 |
| 11 | BAC-32 | 40790 | Snap ring, external, BAC-6 shaft | 2 |
| 12 | BAC-32-S | 40795 | Spacer for BAC-6 shaft | 1 |
| 13 | BAC-6-SS | 40070 | Shaft, 5/8" diameter, left hand thread, stainless steel | 1 |
| 14 | BAC-50 | 41080 | Key, 3/16" x 3/16" x 1-1/4" | 1 |
| ① | RK-FMC | 52700 | Repair kit for FMC series | - |
| ② | RK-FMCSC | 52706 | Repair kit for FMC series with silicon cardide seal | - |